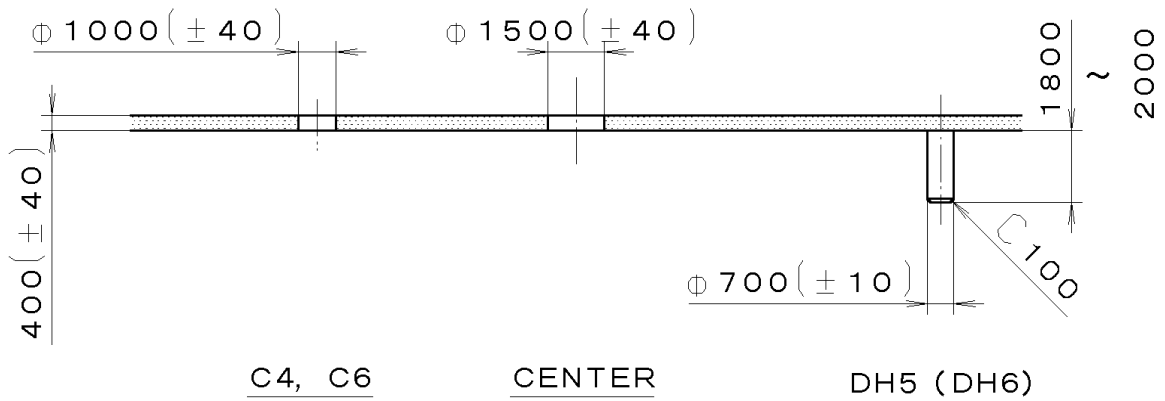
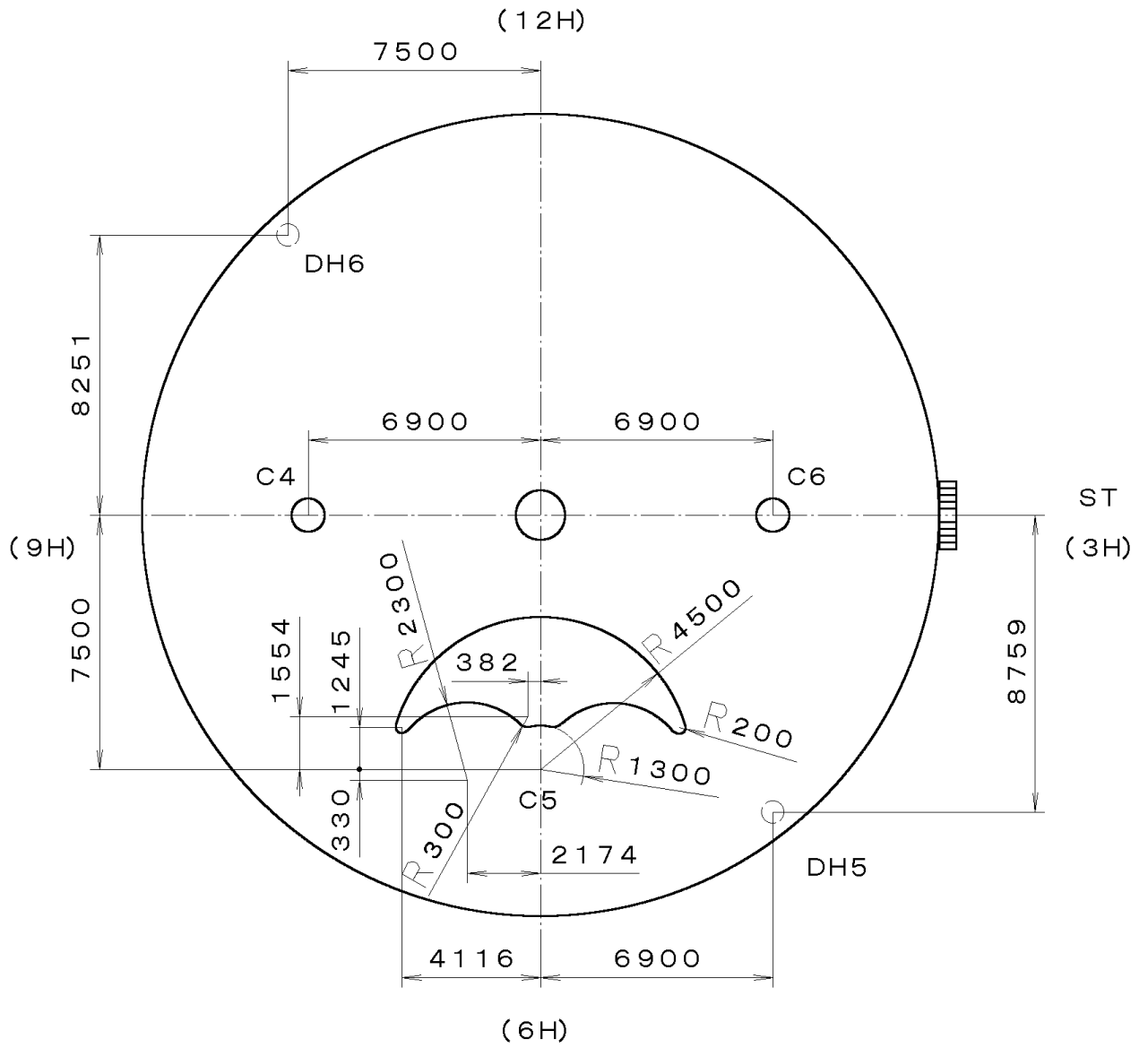


This drawing is provisional and subject to our reconfirmation and/or revision without notice.



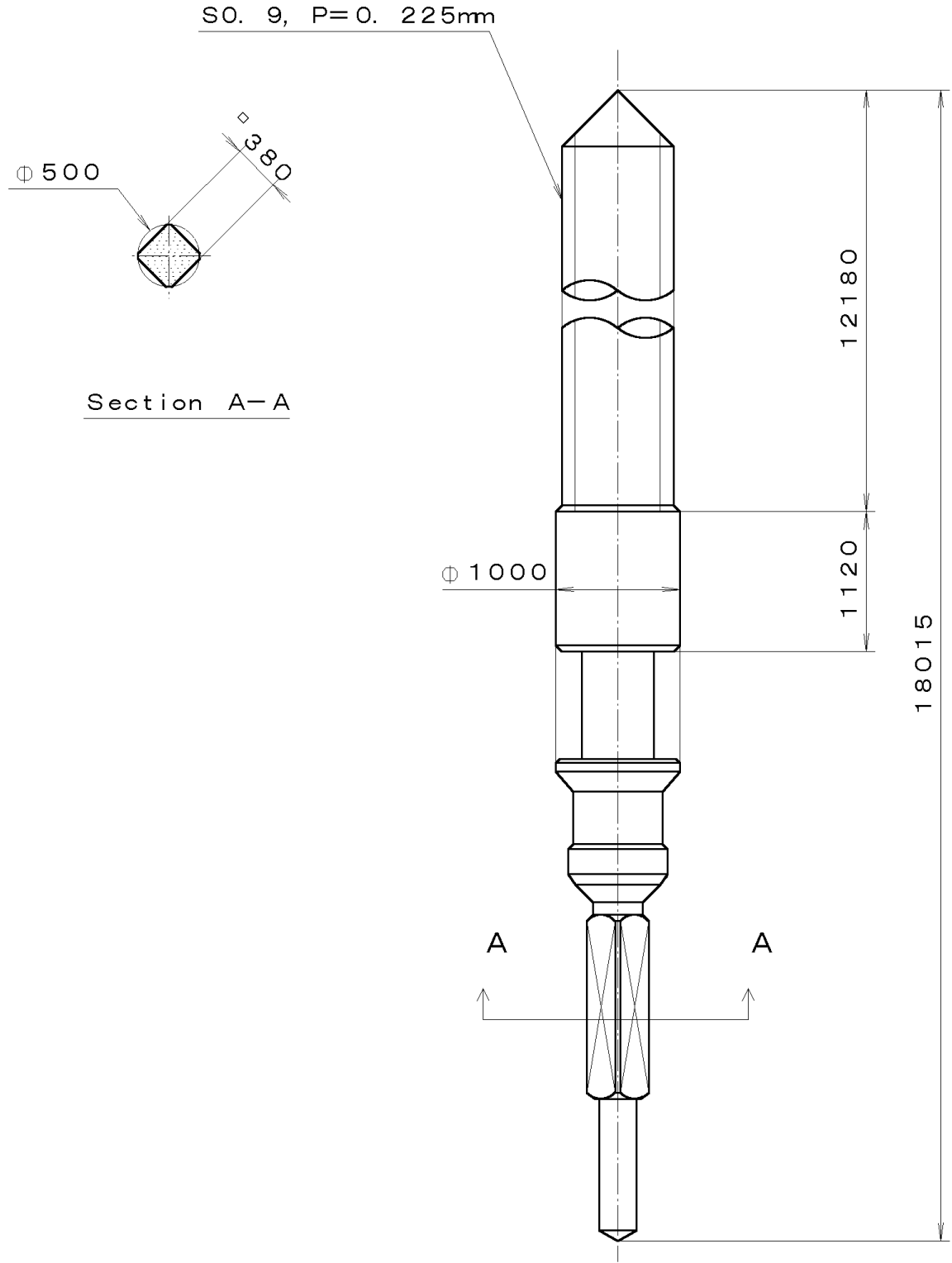
C4, C6 CENTER DH5 (DH6)

*** T I P W 6P20-00A (01) ***	7		Quantity		Cal. No. : 6P20-00A
	6		Unit	1/1000 mm	
	5		Scale	5:1	Parts:
	4		Date		
	3		Drawn		
2		Checked	T. Hiruta	Name:	
1		Approved		Indications for Dial	
Material					Drawing No. : 6P20D000
Heat Treatment			General Tolerances		CITIZEN WATCH CO.,LTD. TOKYO, JAPAN
Hardness			Dimensions		
Plating			Angles		

01-02-07) (2100 1121)

This drawing is provisional and subject to our reconfirmation and/or revision without notice.

065-379 (01) *** (2100 1121) 00-06-23



7			Quantity		Cal. No. :
6			Unit	1/1000 mm	
5			Scale	20:1	Parts:
4			Date		065-379
3			Drawn		Name:
2			Checked	T. Hiruta	SETTING STEM
1			Approved		Drawing No. : 3790S000
Material			General Tolerances		CITIZEN WATCH CO.,LTD. TOKYO, JAPAN
Heat Treatment			Dimensions		
Hardness			Angles		
Plating					