



Cal. AL35E

15.3 × 17.8 mm
H 2.99 mm

Items	Rev.	Page
Specifications	03	1
Appearance	04	2
Casing	02	3
Hand fitting	03	4
Hand setting stem	04	5
Dial	00	6
Casing ring	00	7

Date: 17/Jul./'09

S.EPSON Products

MOVEMENT SPECIFICATIONS

CAL. AL35E

Analog Quartz 6 3/4 × 8" Slim Movement / Three Hands (H/M/S)

1. MOVEMENT DIMENSIONS

*Outside diameter	15.30mm(3-9H) × 18.20mm(12-6H)
*Casing diameter	15.30mm(3-9H) × 17.80mm(12-6H)
*Total height	2.99mm

2. TIME STANDARD

*Type of quartz oscillator	Tuning fork
*Frequency of quartz oscillator	32,768 Hz
*Accuracy	±20 seconds per month (on wrist)
*Operating temperature range	-5°C to +50°C
*Regulation device	Nil (Pre-adjusted)

3. INDICATOR / FUNCTIONS

*3 Hands	Hour / Minute / Second
*Reset switch	
*Setting mechanism	Crown at normal position : Free Crown pulled out 1st click : Time setting / Reset

4. FEATURES

*Jewels	0 Jewel
*Anti-magnetism	Over 1600A/m (Direct current magnetic field)
*Maximum unbalance of hands	Second hand : 6 mg•mm Minute hand : 60 mg•mm Hour hand : 50 mg•mm

5. BATTERY

*Type / Size	Silver oxide battery / ϕ 6.8mm × t 2.6mm
*Recommended battery	SR626SW (Maxell, Panasonic, Sony, Seizaiken)
*Nominal voltage	1.55 V
*Battery life	Approx. 2 years
*Driving current consumption	Approx. 1.5 μ A
*Operation stopping voltage	1.1 V

6. SEPARATED PARTS (Parts code)

*Hand setting stem	0354788 or 0354787 or 0354790
*Battery	SR626SW

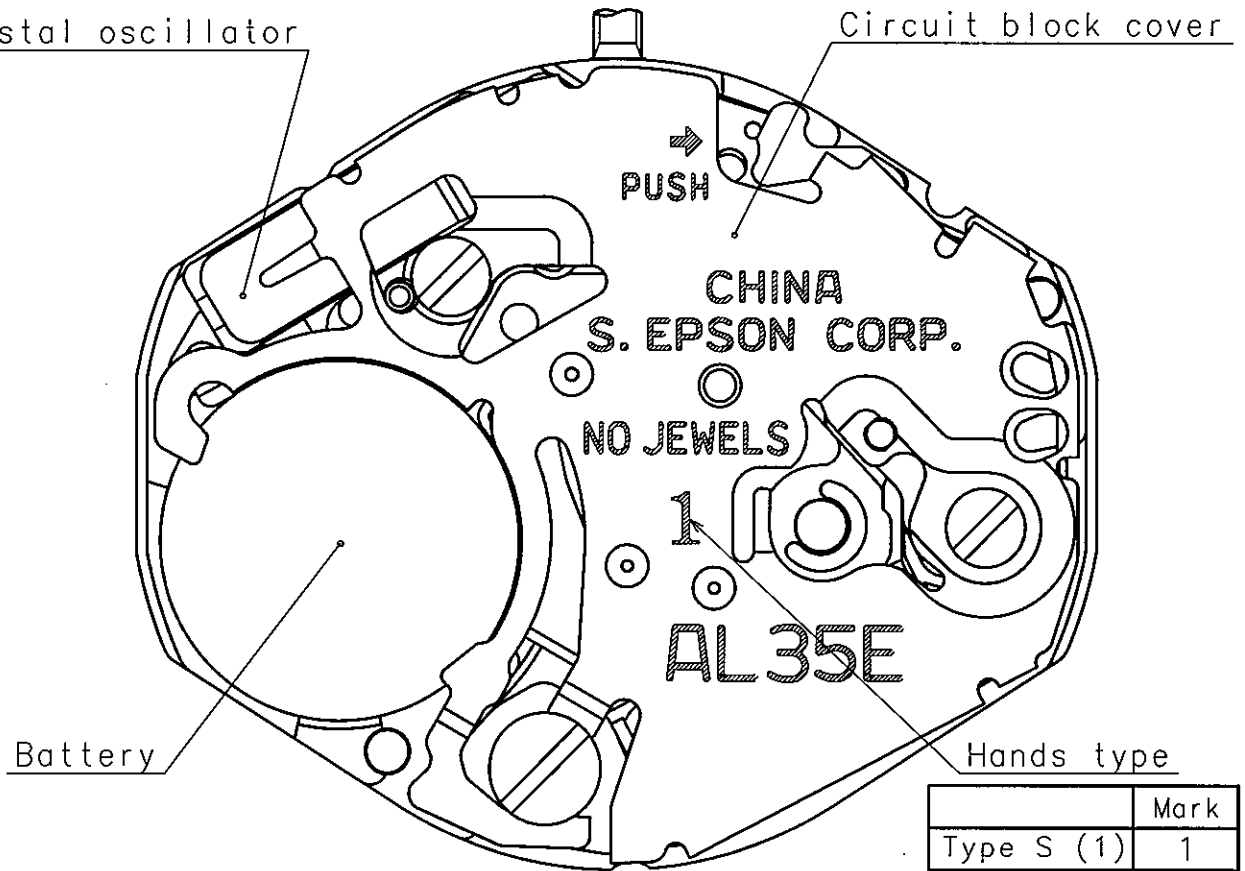
7. TEST OF ACCURACY

*Equipment to be used	SEIKO quartz tester QT-99, Greiner quartz timer-C , Witschi Q-tester 4000
*Duration of measurement	10 seconds
*Microphone to be used	Electromagnetic detection type

All specifications are subject to change without notice.

Crystal oscillator

Circuit block cover



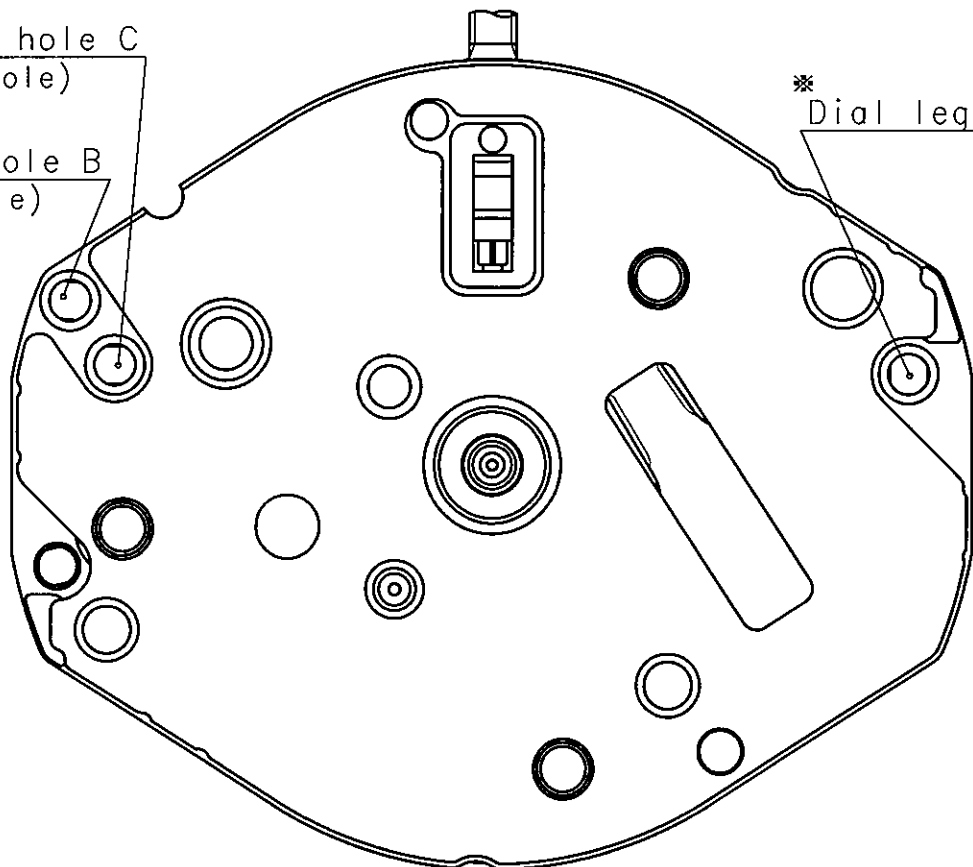
Battery

Hands type

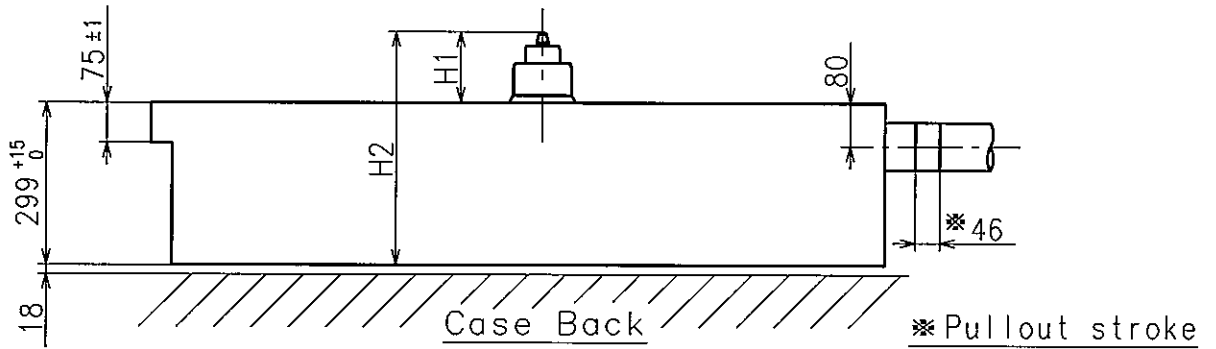
* Dial leg hole C
(Sub hole)

* Dial leg hole B
(Main hole)

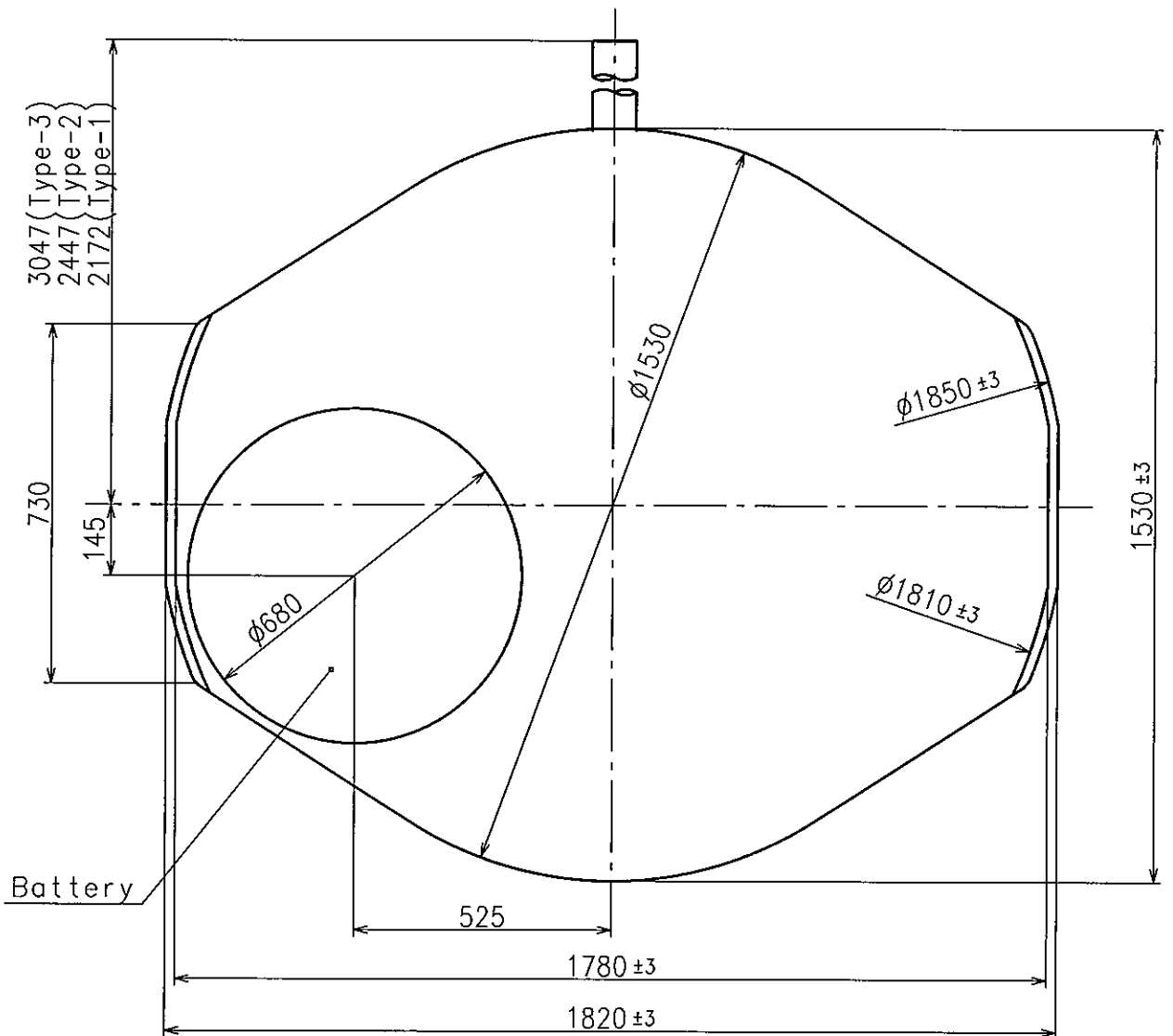
* Dial leg hole A



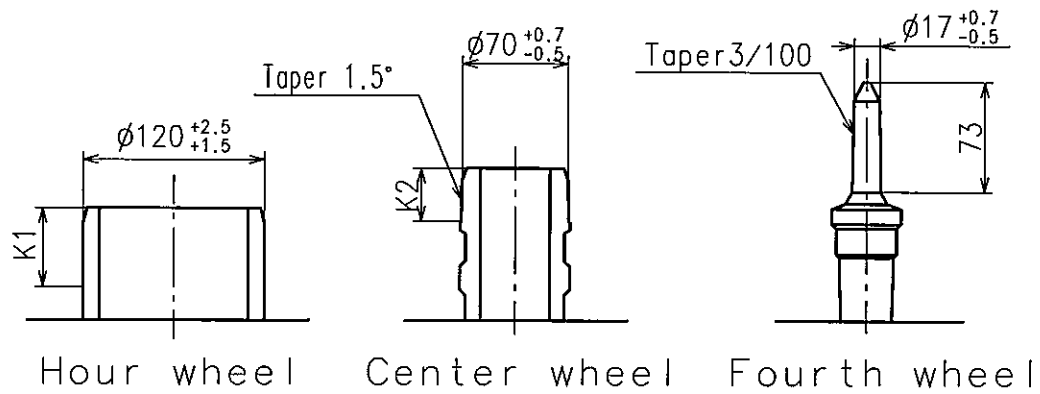
* :Combination of dial leg hole A-B, (A-C)



Center post		Type S (1) AL35E1
Maximum height from dial support	H1	160
Total height incl. movement	H2	459

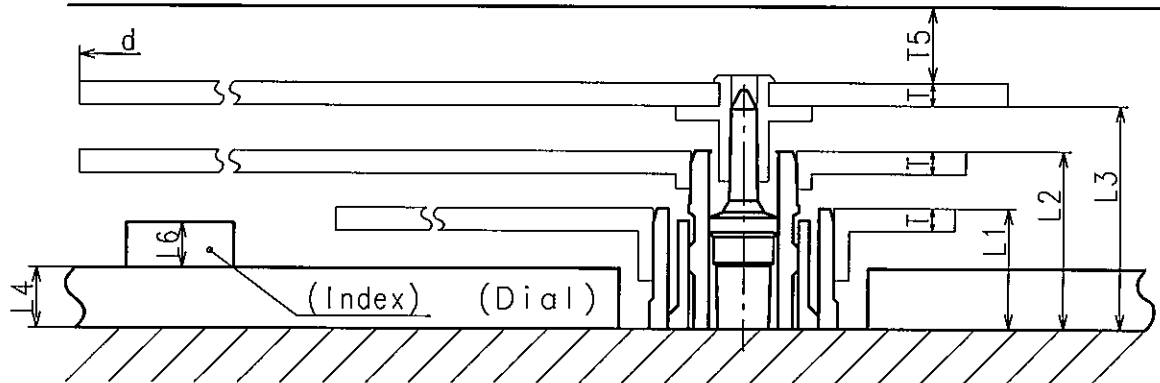


- * Second hand unbalance $\leq 6\mu g \cdot m (0.06\mu N \cdot m)$
- * Minute hand unbalance $\leq 60\mu g \cdot m (0.6\mu N \cdot m)$
- * Hour hand unbalance $\leq 50\mu g \cdot m (0.5\mu N \cdot m)$

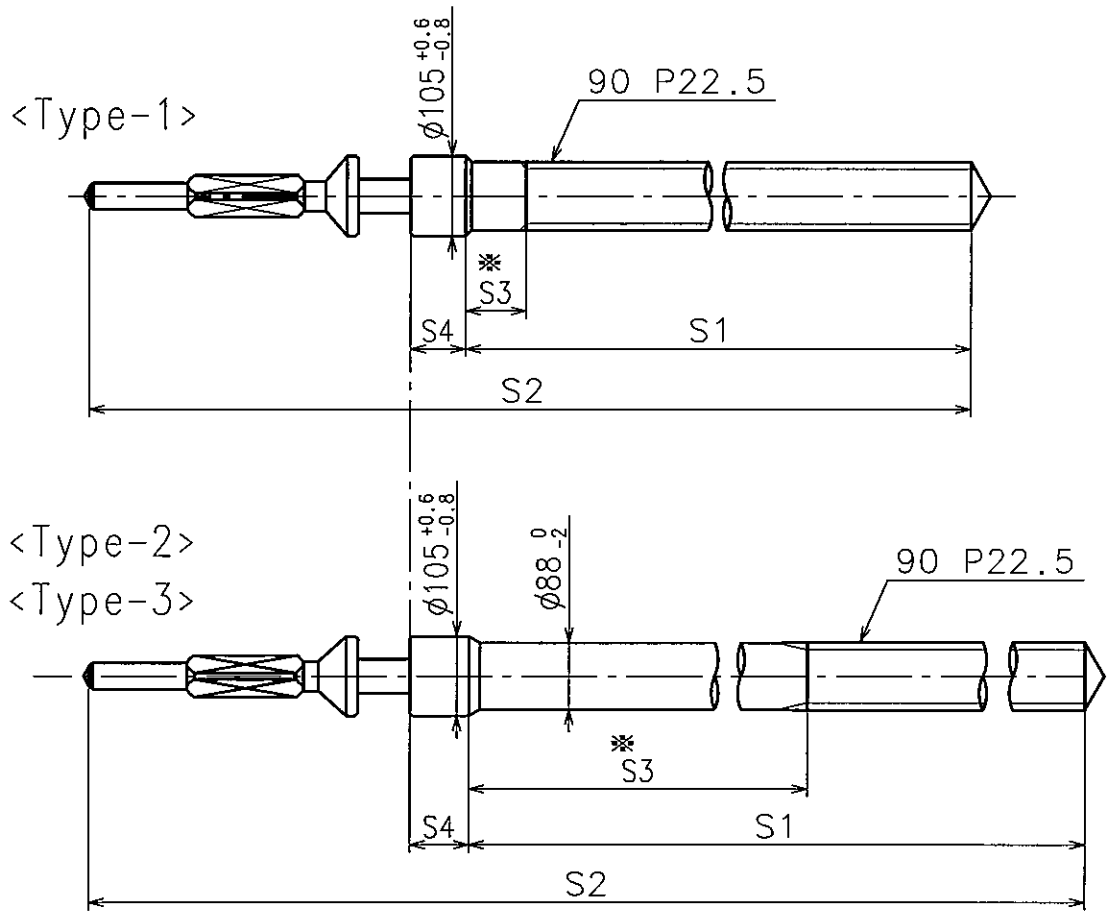


	Parts No.			Dimension	
	Hour wheel	Center wheel	Fourth wheel	K1	K2
Type S (1) AL35E1	0271752	0221752	0241752	52	35

(Glass) " " " " " " " " " "



	L1	L2	L3	L4	L5	L6	T	d
Type S (1) AL35E1	80	120	150	40	MIN: 50	MAX: 30	15	MAX: $\phi 2500$

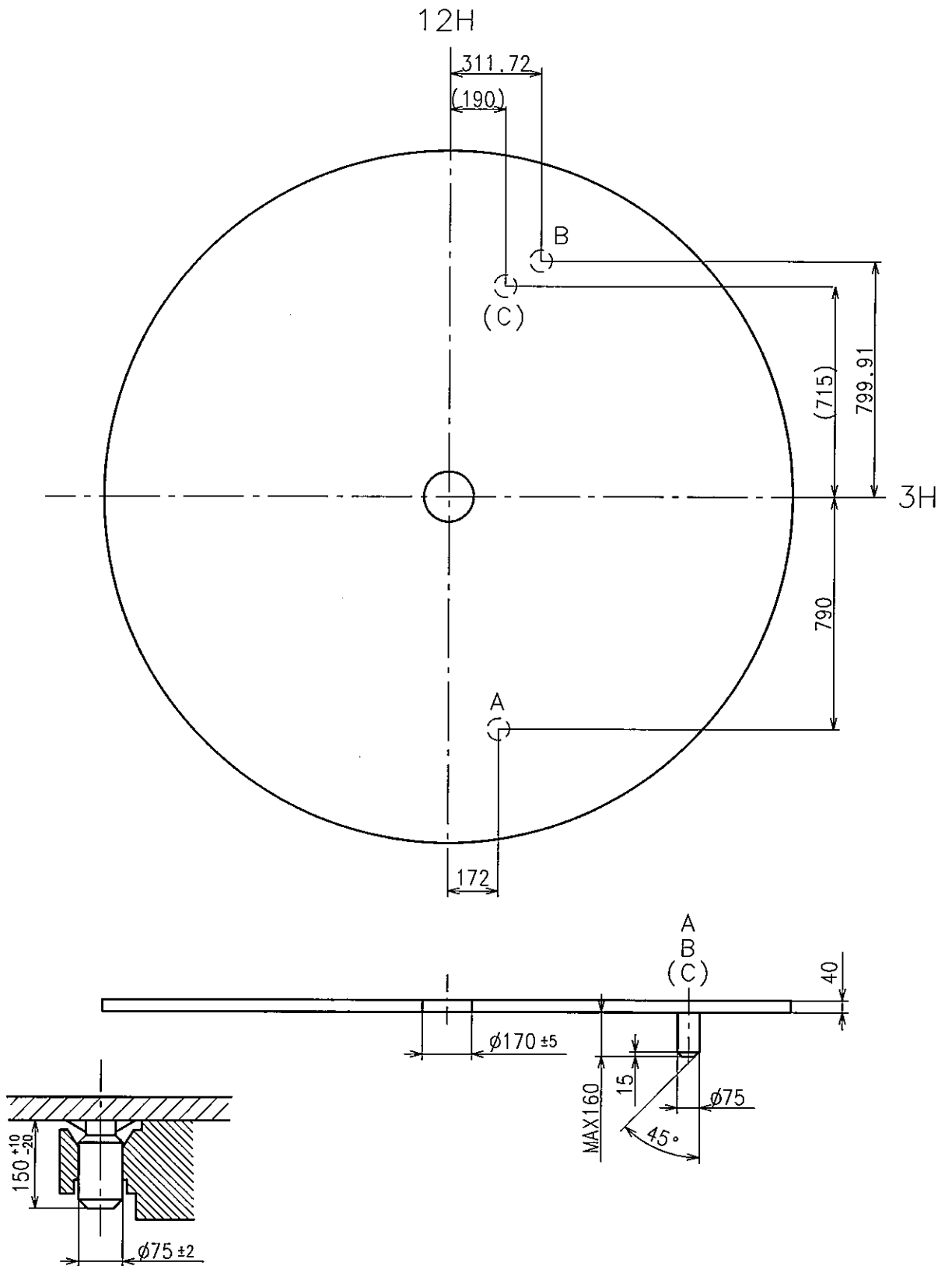


* Not threaded

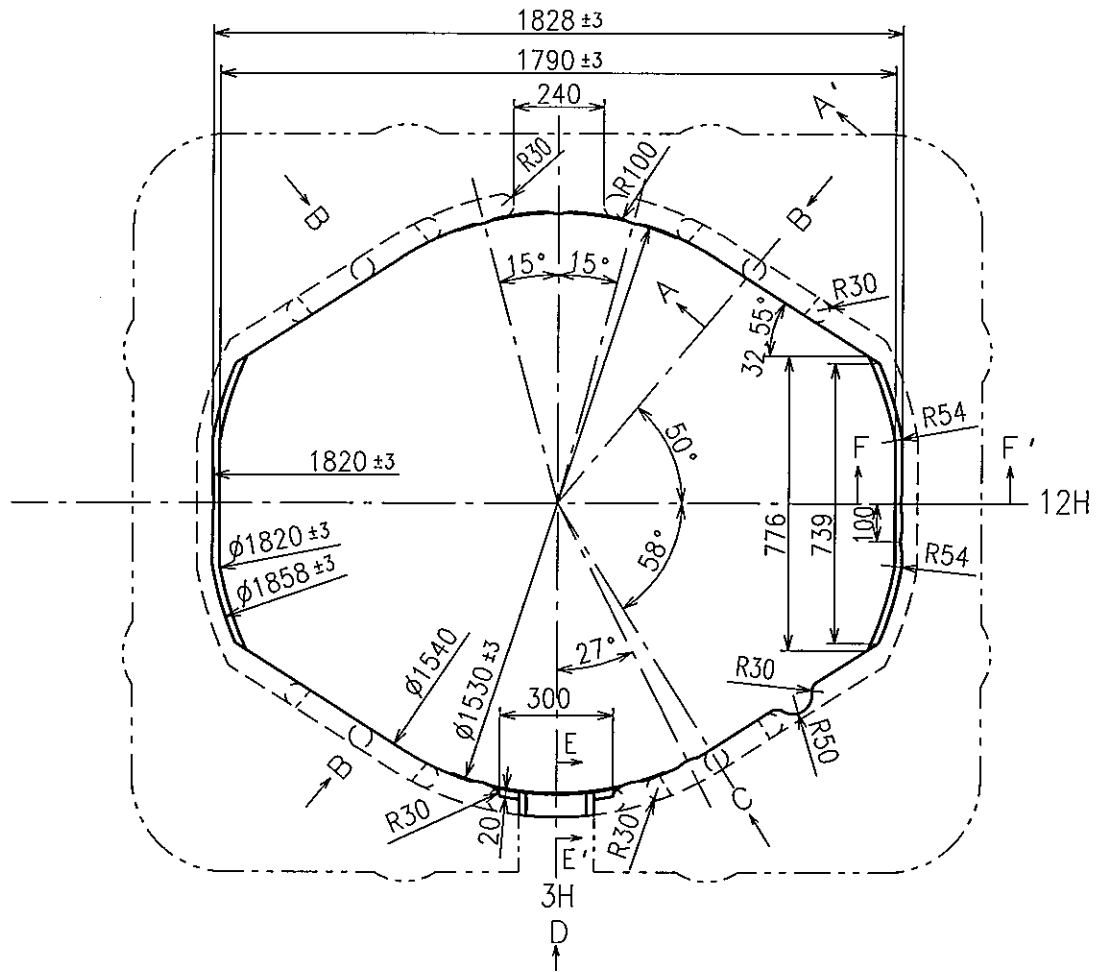
	Part No.	S1	S2	* S3	S4
Type-1 (Standard)	0354788	1427	1925	80	73
Type-2	0354787	1697	2200	887	78
Type-3	0354790	2297	2800	1300	78

Material : Steel

Hardness : Vickers 530±50



Use dial leg hole as like below A-B(Main hole) , A-C(Sub hole)

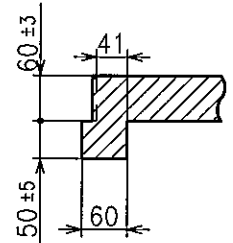
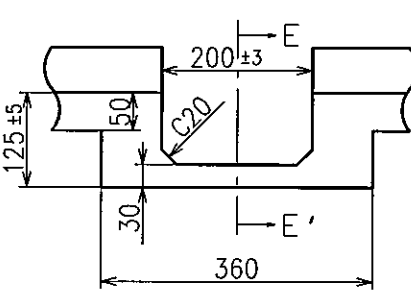
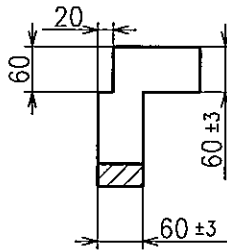
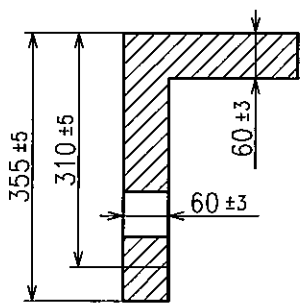


A-A' section

E-E' section

D view

F-F' section



B view

C view

