

# Cal. PC39A

$\phi$  23.70 mm

H 4.15 mm

| Item              | Version No. |
|-------------------|-------------|
| Specification     | Version 3   |
| Appearance        | Version 6   |
| Casing            | Version 5   |
| Hand Fitting      | Version 4   |
| Hand Setting Stem | Version 5   |
| Dial - 1          | Version 3   |
| Dial - 2          | Version 3   |
| Casing Ring - 1   | Version 4   |
| Casing Ring - 2   | Version 4   |
| Assembly Plan     | Version 4   |
| Hands             | Version 4   |



## MOVEMENT SPECIFICATIONS

### CAL.PC39A 10 1/2 Ligne Quartz Movement Three Hands with Sun & Moon disc

#### 1. MOVEMENT DIMENSIONS

- Outside diameter  $\phi$  22.60mm (12H~6H) x 22.00mm (3H~9H),  $\phi$  23.70mm
- Casing diameter  $\phi$  17.80mm (12H~6H) x 15.30mm (3H~9H),  $\phi$  18.10mm
- Height 4.15 mm (including the battery)

#### 2. TIME STANDARD

- Type of quartz oscillator Tuning fork
- Frequency of quartz oscillator 32,768 H Z
- Accuracy Monthly rate: Less than 30 seconds per month at normal temperature range
- Regulation device Nil
- Regulation hands unbalance
  - Second : Less than 0.07 $\mu$ N·m (7mg·mm)
  - Minute : Less than 0.30 $\mu$ N·m (30mg·mm)
  - Hour : Less than 0.30 $\mu$ N·m (30mg·mm)

#### 3. BATTERY

- Type Silver oxide battery
- Size  $\phi$  6.8 x t 2.6 ( mm )
- Battery life Approx. 3 years
- Recommended battery SR626SW ( SEIZAIKEN )

#### 4. STEPPING MOTOR

- Type Two pole stepping motor
- Step 180° every second

#### 5. JEWEL

0 jewel

#### 6. ANTIMAGNETISM

( direct current magnetic field )

$\geq$  1600 A / m

#### 7. SHOCK RESISTANCE

On equal level with general quartz movement

#### 8. OPERATING TEMPERATURE RANGE

From - 5°C to + 50°C

#### 9. SETTING MECHANISM

- Crown at normal position Free
- Crown pulled out to 1st click Time setting, second setting and reset switch

#### 10. TEST OF ACCURACY

- Equipment to be used Quartz Tester QT - 99  
Greiner Quartz Timer - C  
Witschi Q-Tester 4000
- Duration of measurement 10 seconds
- Microphone to be used Electromagnetic detection type (DM-1)

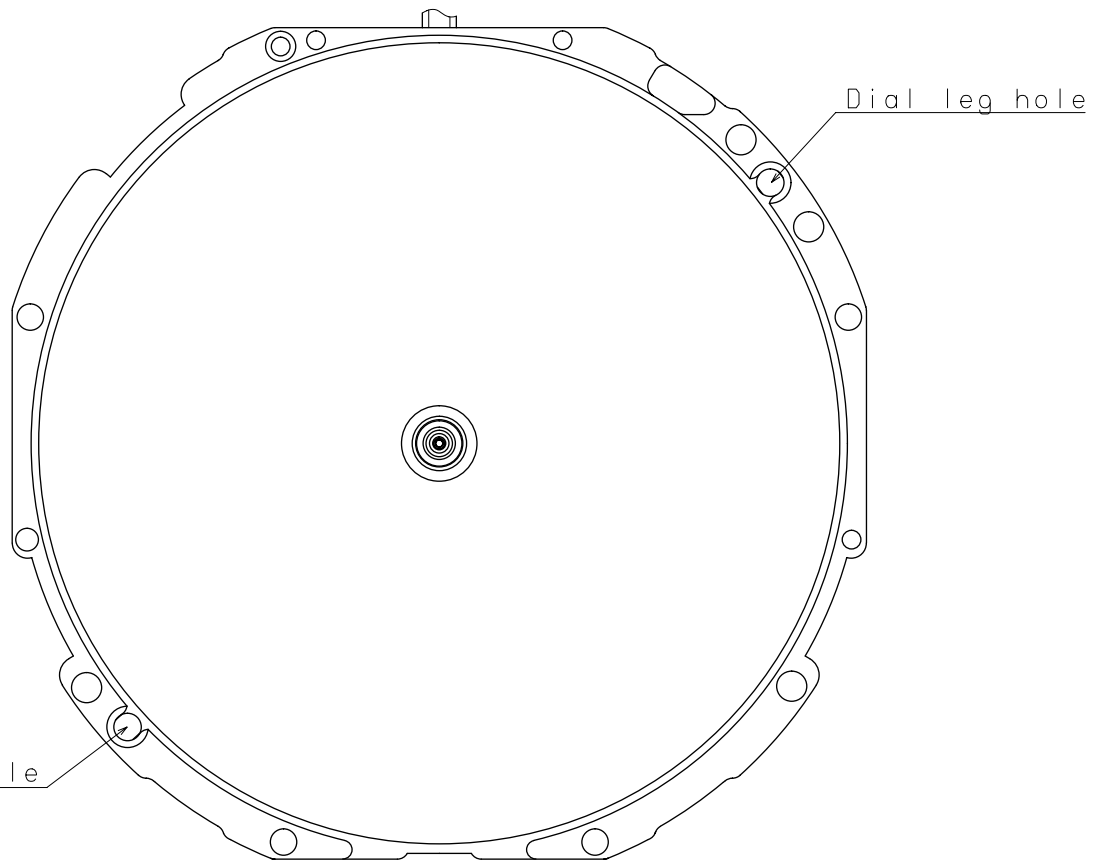
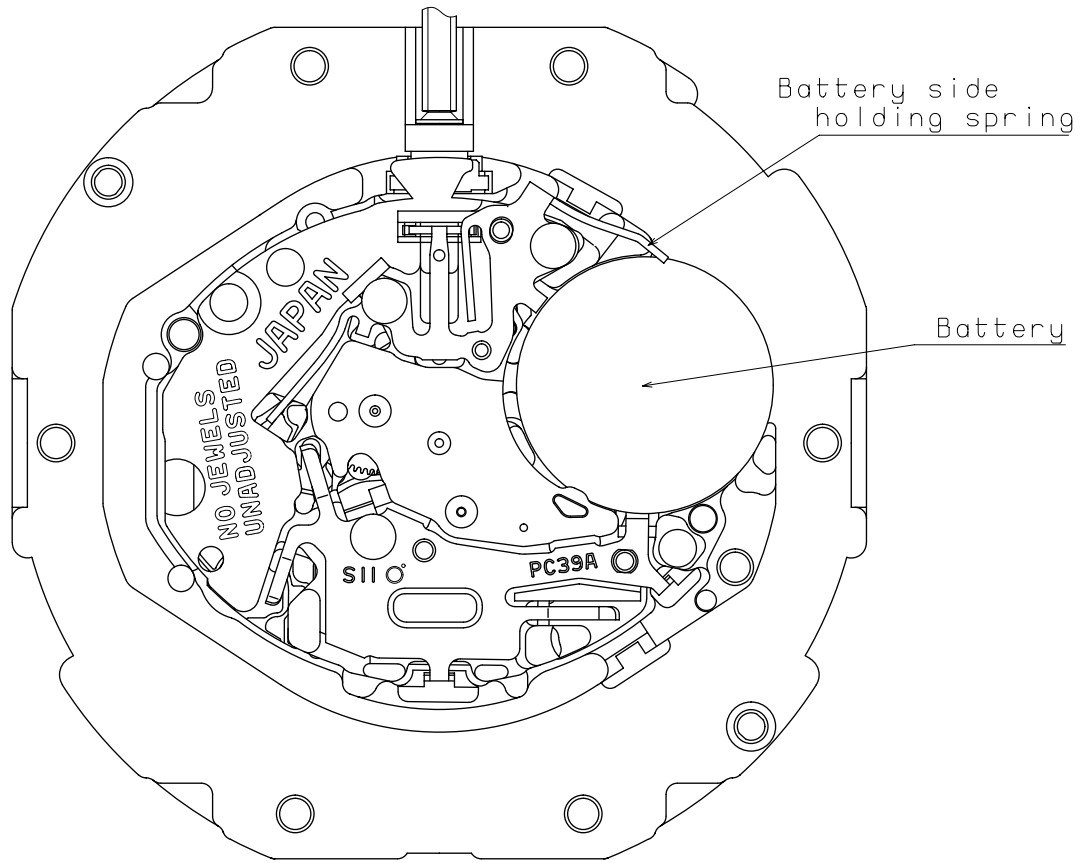
#### 11. ATTACHED PARTS

| Parts Name           | Parts Code  |
|----------------------|-------------|
| Silver oxide battery | 3016 - 18G0 |
| Hand setting stem    | 0354 - 1940 |

**\* All specifications are subject to change without notice.**

# SII Products

Version: 3



Scale : 5/1

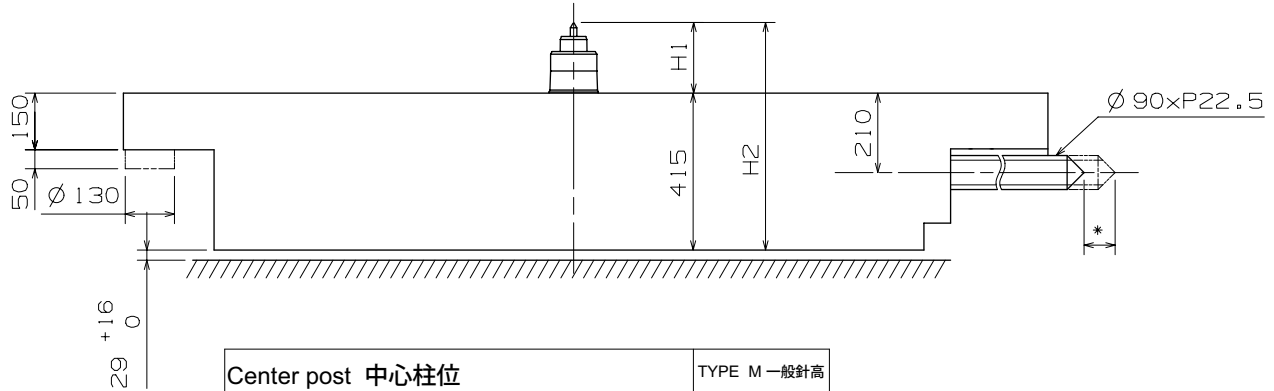
Unit : 1=1/100mm

Version:6

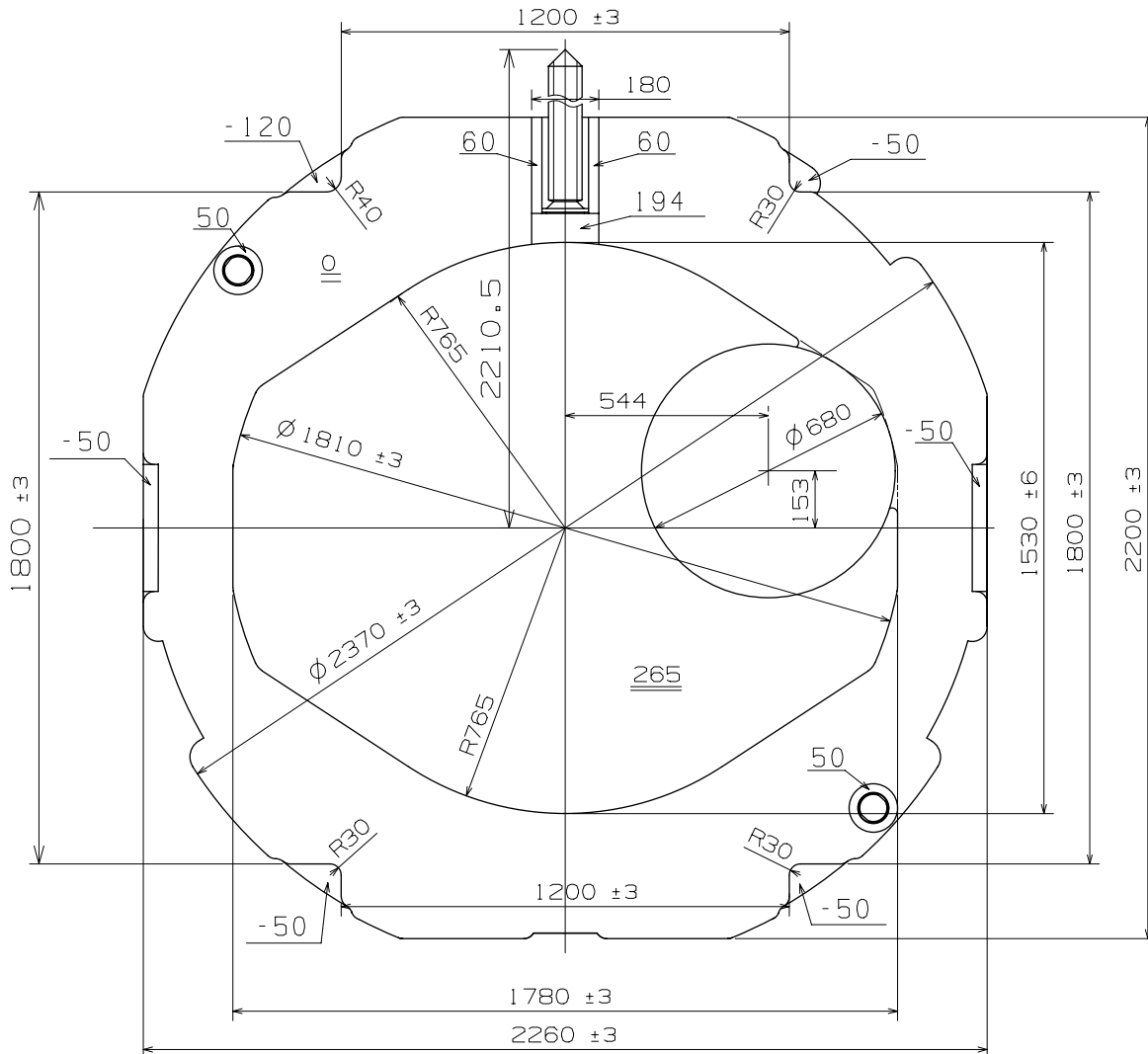


Battery Side Holding spring Type

\* First pull out stroke 56



| Center post 中心柱位                                      |    | TYPE M 一般針高 |
|---|----|-------------|
| Maximum height from main plate surface.<br>與機芯平面之最大高度 | H1 | 185         |
| Total height incl. movement.<br>機芯總高度                 | H2 | 600         |



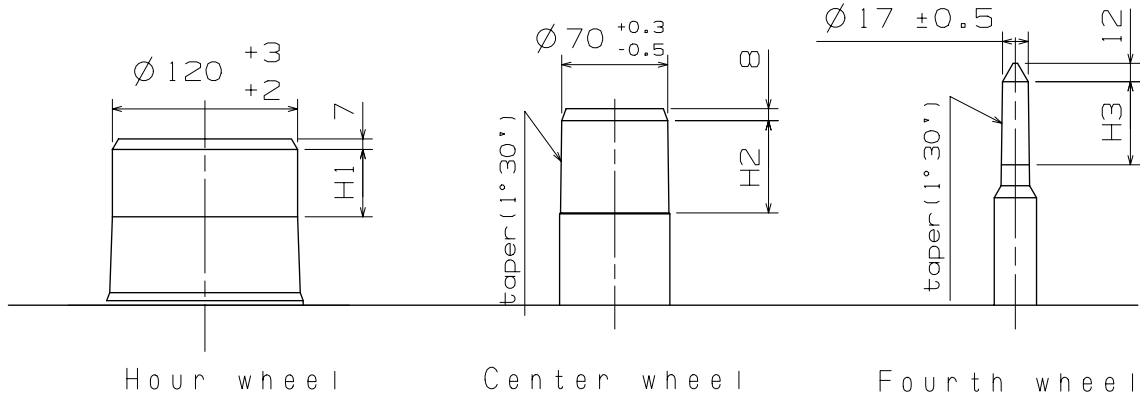
Scale : 5/1  
Unit : 1=1/100mm

Version:5

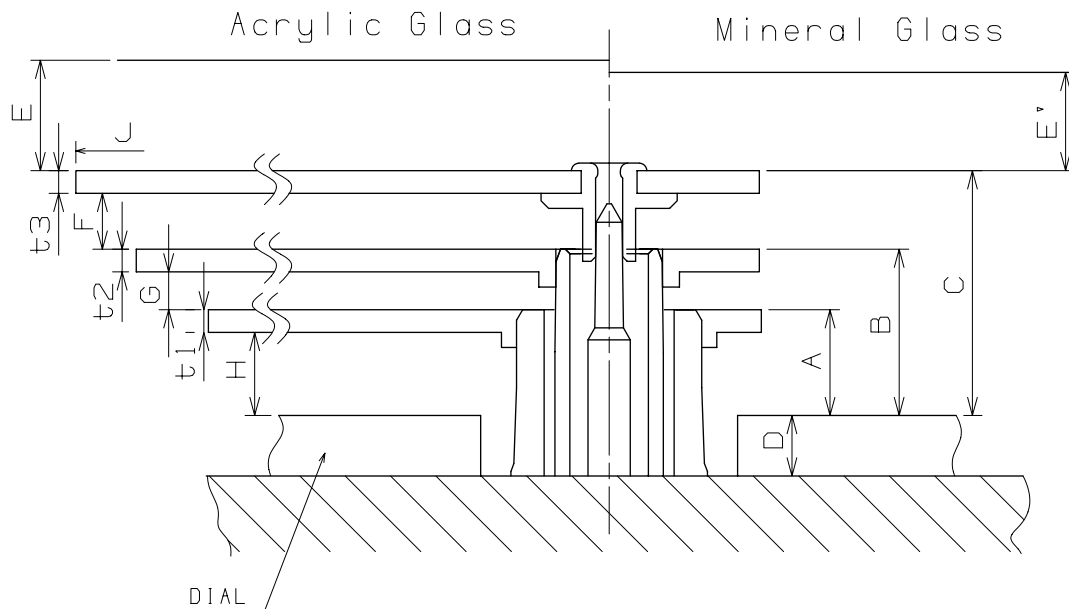
# Hand Fitting

Cal. PC39A

Hour hand unbalance  $\leq 0.3\mu\text{N}\cdot\text{m}$  (30mg·mm)  
 Minute hand unbalance  $\leq 0.3\mu\text{N}\cdot\text{m}$  (30mg·mm)  
 Second hand unbalance  $\leq 0.07\mu\text{N}\cdot\text{m}$  (7mg·mm)



|        | Part. No.  |              |              | Dimension |    |    |
|--------|------------|--------------|--------------|-----------|----|----|
|        | Hour wheel | Center wheel | Fourth wheel | H1        | H2 | H3 |
| TYPE M | 0271 1940  | 0221 3220    | 0241 3100    | 43        | 61 | 55 |



|        | A  | B   | C   | D  | E | E' | F  | G  | H  | t1 | t2 | t3 |
|--------|----|-----|-----|----|---|----|----|----|----|----|----|----|
| TYPE M | 70 | 110 | 162 | 40 | * | *  | 37 | 25 | 55 | 15 | 15 | 15 |

| *  | J       |         |        |
|----|---------|---------|--------|
|    | Max 800 | 800~850 | 850~   |
| E' | Min 40  | Min 45  | Min 65 |
| E  | Min 48  | Min 53  | Min 73 |

Scale : 25/1

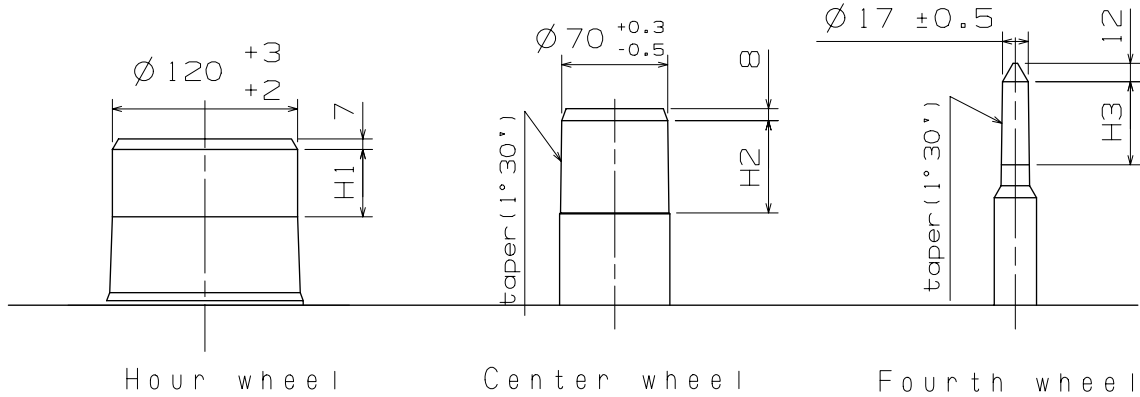
Unit : 1=1/100mm

Version:4

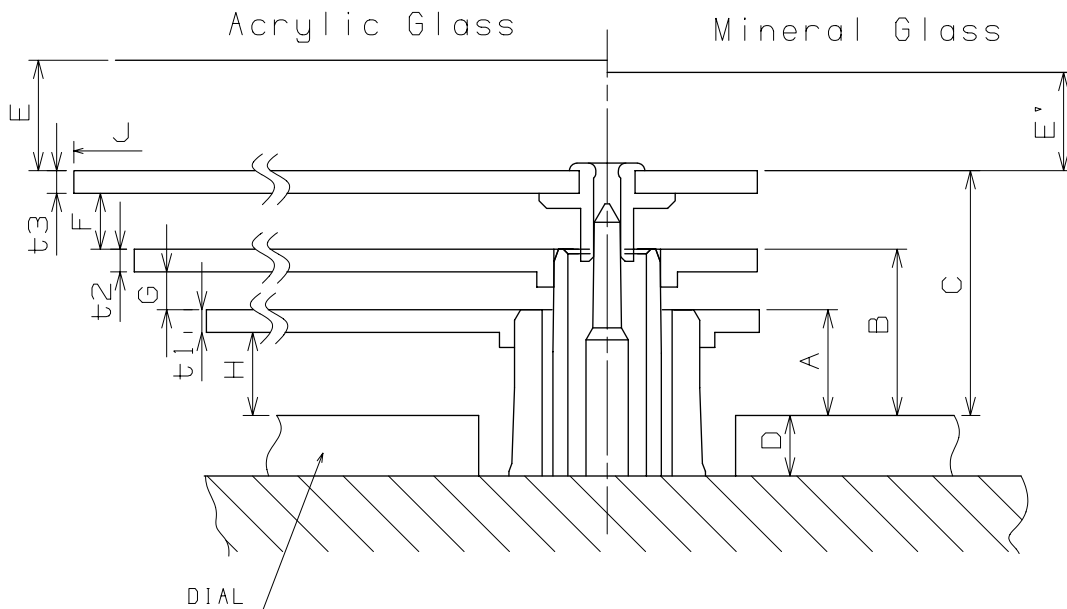
# Hand Fitting

Cal. PC39A

Hour hand unbalance  $\leq 0.3\mu\text{N}\cdot\text{m}$  (30mg·mm)  
 Minute hand unbalance  $\leq 0.3\mu\text{N}\cdot\text{m}$  (30mg·mm)  
 Second hand unbalance  $\leq 0.07\mu\text{N}\cdot\text{m}$  (7mg·mm)



|             | Part. No.      |                  |                  | Dimension |    |    |
|-------------|----------------|------------------|------------------|-----------|----|----|
|             | Hour wheel 時針輪 | Center wheel 分針輪 | Fourth wheel 秒針輪 | H1        | H2 | H3 |
| TYPE M 一般針高 | 0271 1940      | 0221 3220        | 0241 3100        | 43        | 61 | 55 |



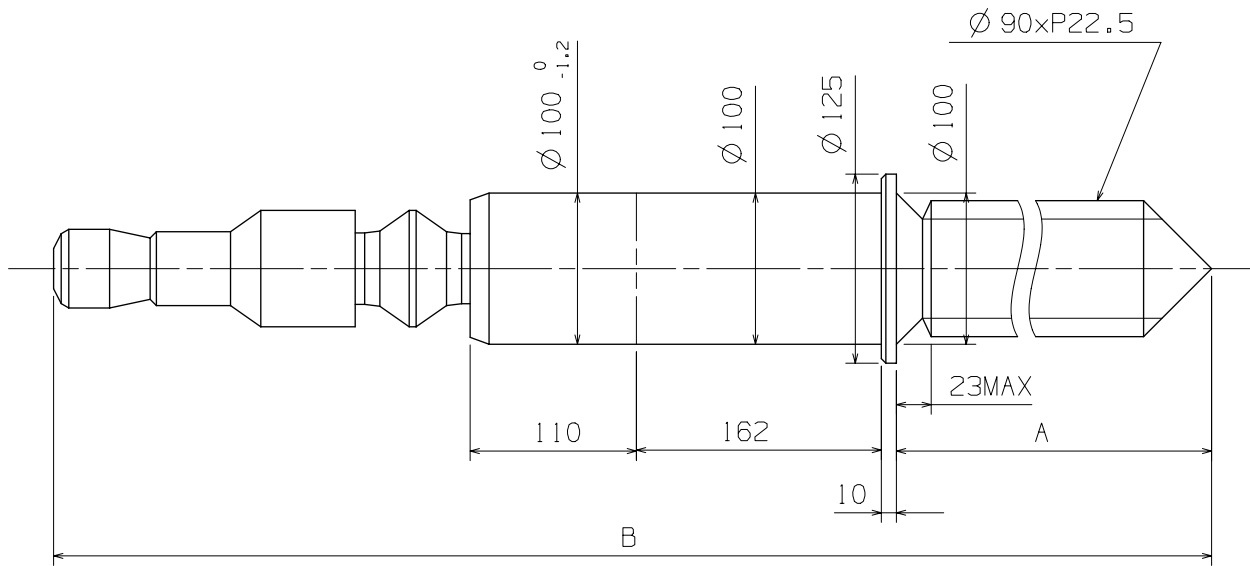
|             | A  | B   | C   | D  | E | E' | F  | G  | H  | t1 | t2 | t3 |
|-------------|----|-----|-----|----|---|----|----|----|----|----|----|----|
| TYPE M 一般針高 | 70 | 110 | 162 | 40 | * | *  | 37 | 25 | 55 | 15 | 15 | 15 |

| *  | J       |         |        |
|----|---------|---------|--------|
|    | Max 800 | 800~850 | 850~   |
| E' | Min 40  | Min 45  | Min 65 |
| E  | Min 48  | Min 53  | Min 73 |

Scale : 25/1

Unit : 1=1/100mm

Version:4



|        | Part.No.  | A    | B      |
|--------|-----------|------|--------|
| TYPE A | 0354 1940 | 1355 | 1912.5 |

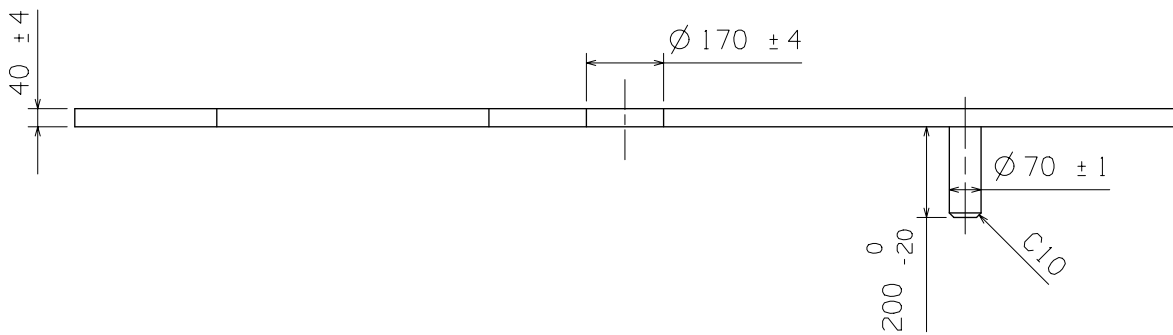
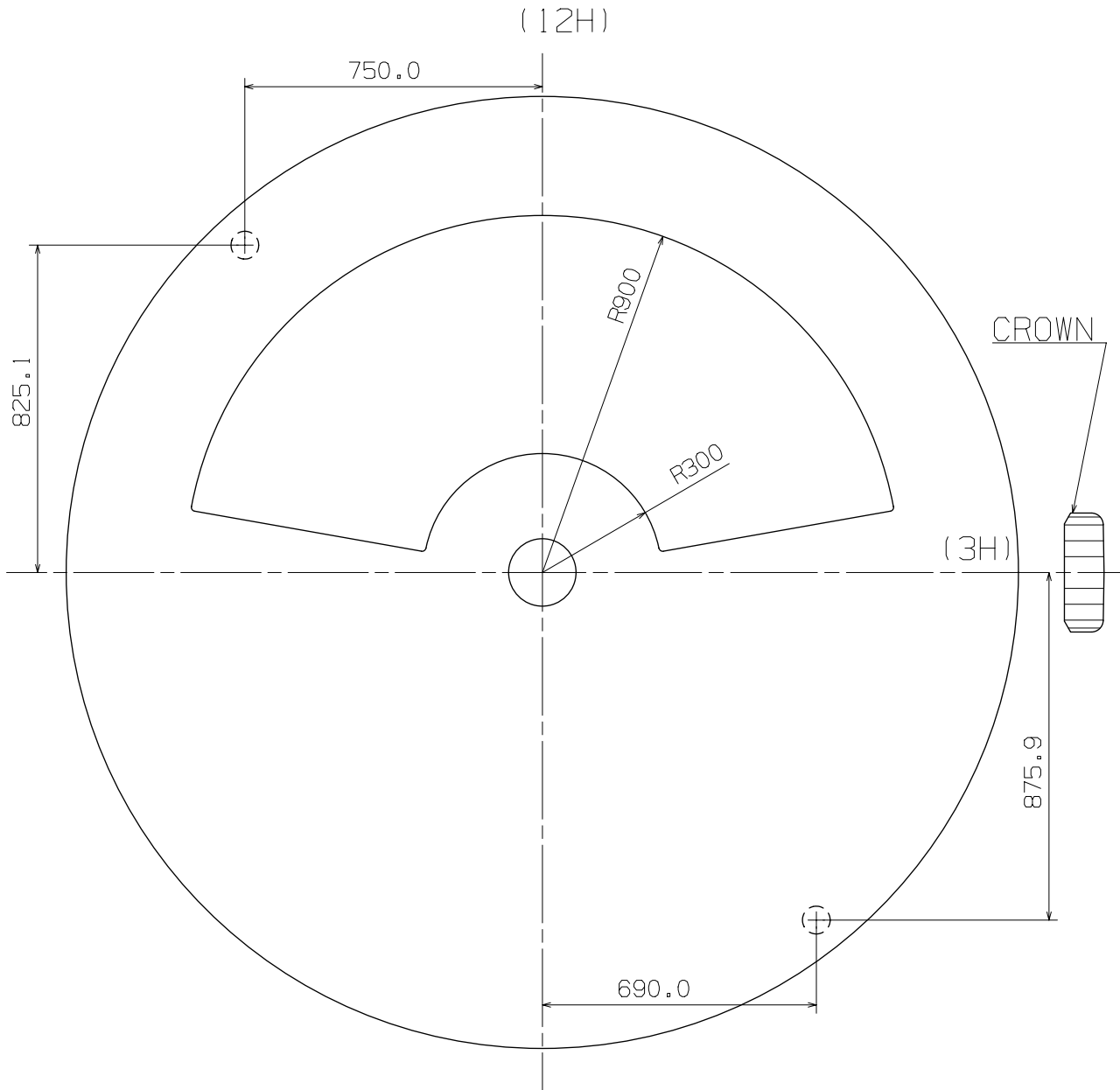
Do not lubricate the hand setting stem.

Scale : 20/1

Unit : 1=1/100mm

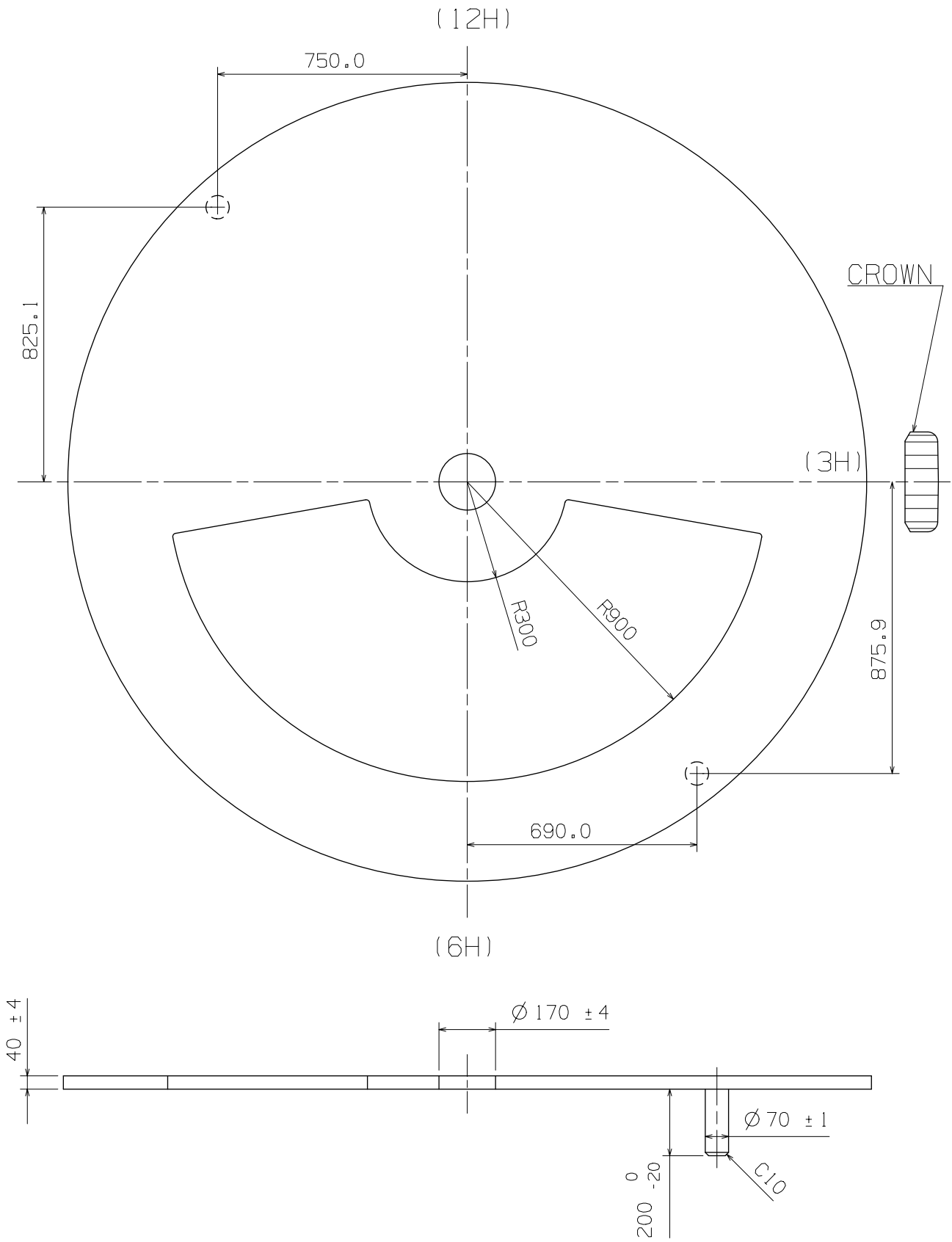
Version:5





Scale : ≠  
Unit : 1=1/100mm

Version:3

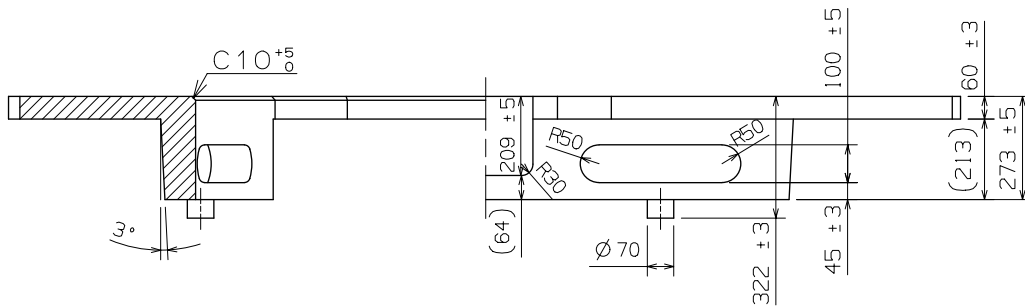
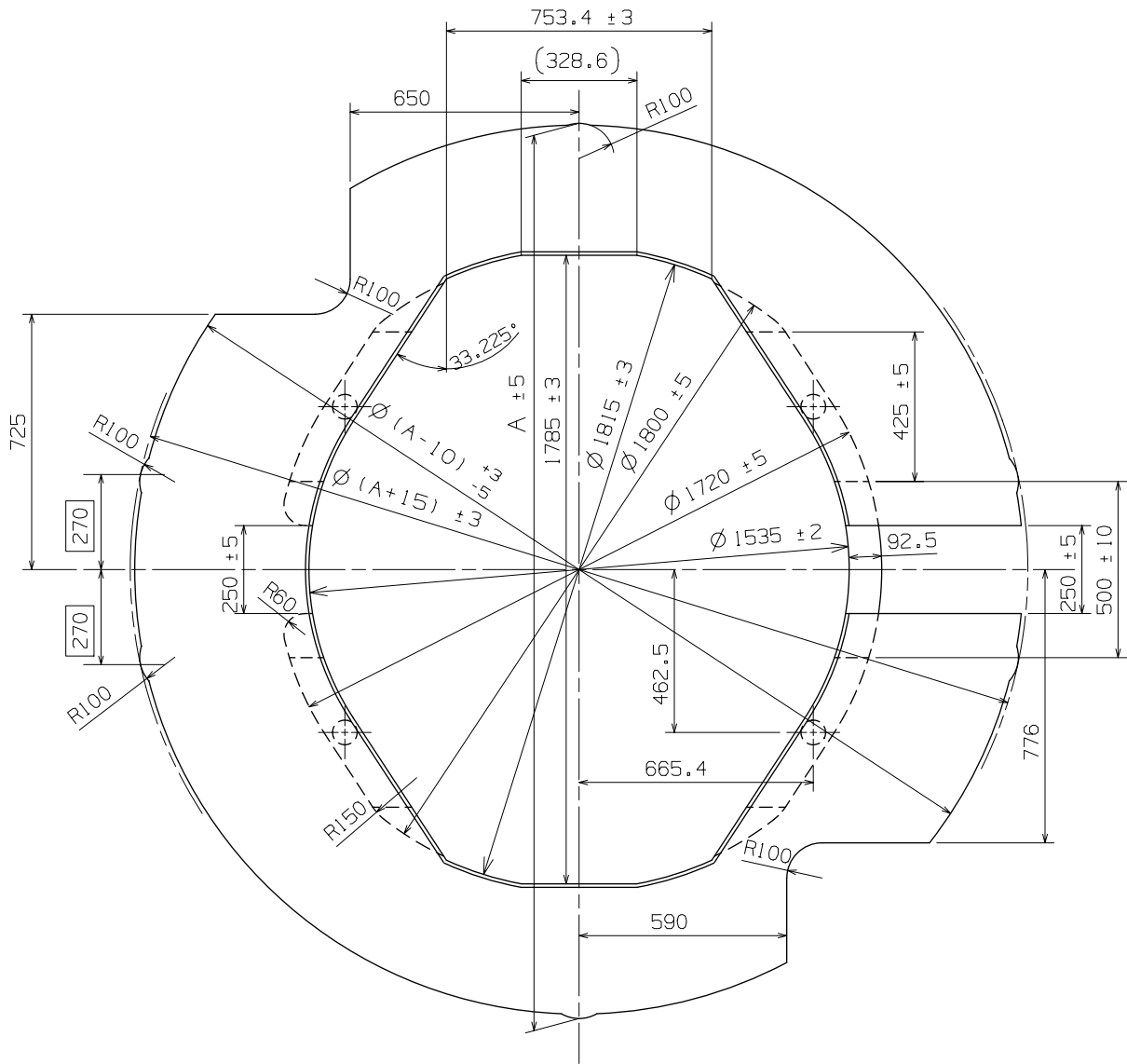


Scale : ≠  
Unit : 1=1/100mm

Version:3

# Casing Ring-1

Cal. PC39A

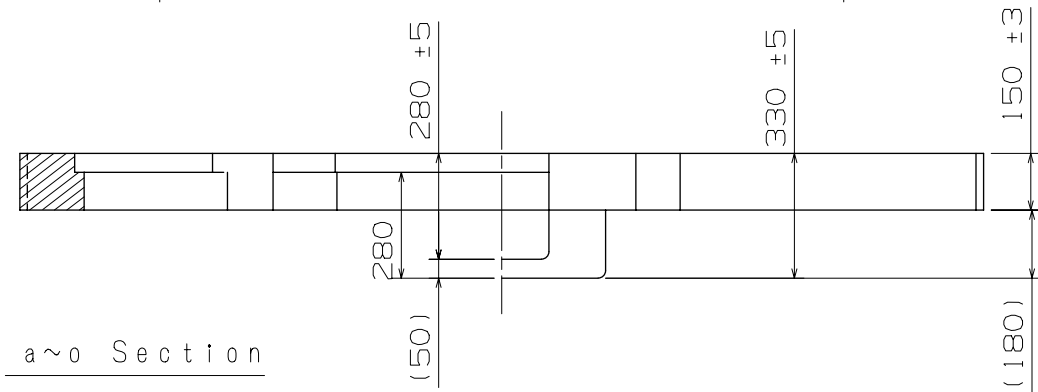
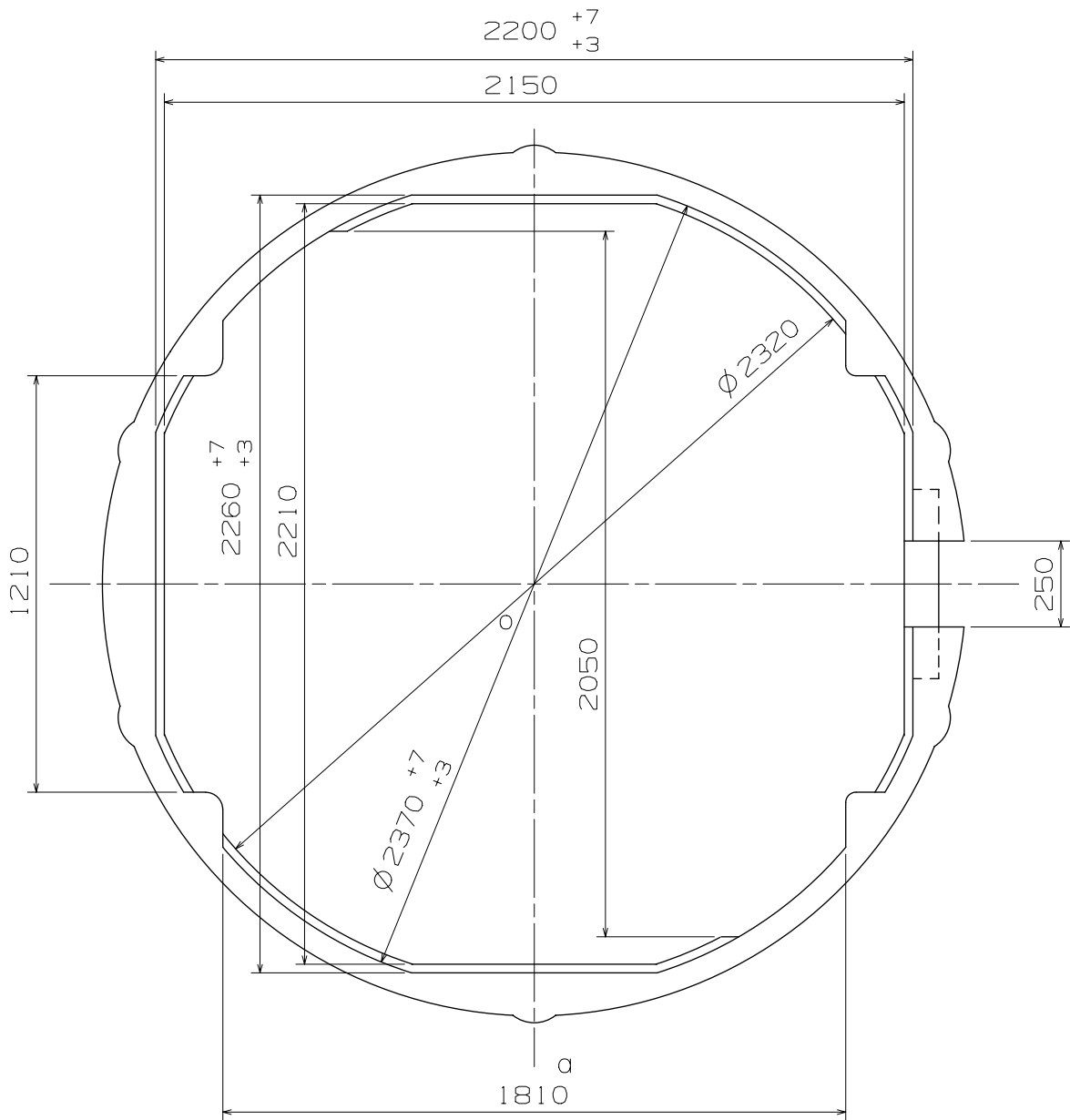


Scale : 5/1  
Unit : 1=1/100mm

Version:4

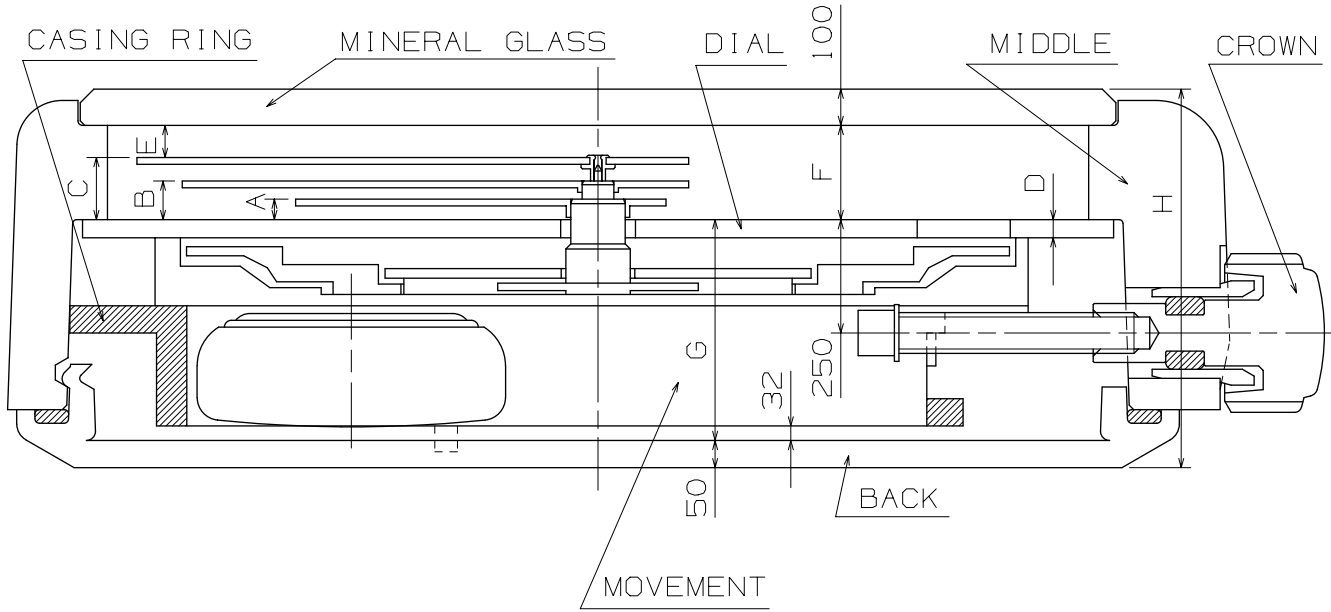
# Casing Ring-2

Cal. PC39A



Scale : 5/1  
Unit : 1=1/100mm

Version:4



|        | A  | B   | C   | D  | E  | F   | G   | H   |
|--------|----|-----|-----|----|----|-----|-----|-----|
| TYPE M | 70 | 110 | 162 | 40 | 65 | 227 | 487 | 864 |

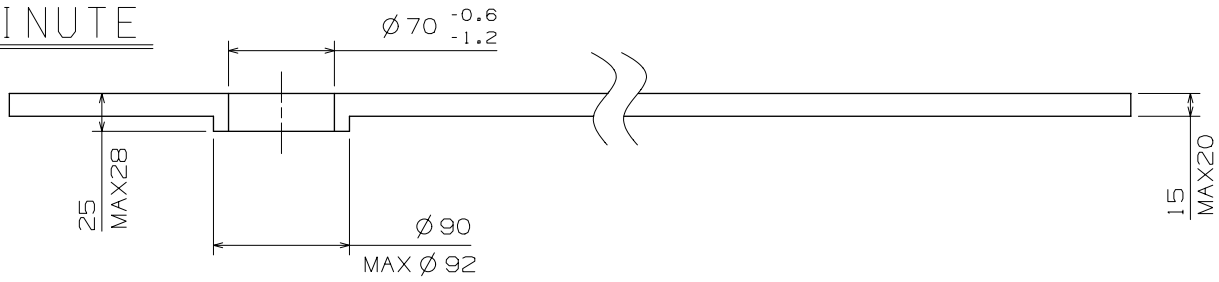
Scale : -  
Unit : 1=1/100mm

Version:4

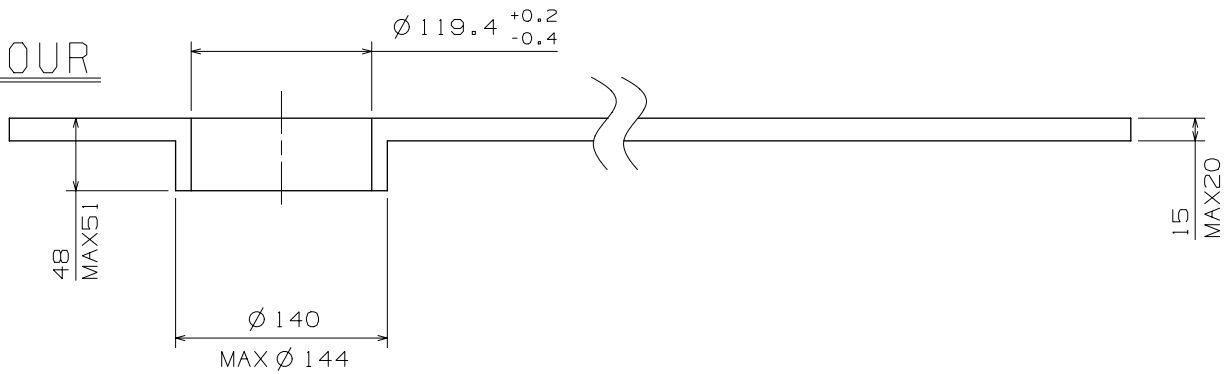
## SECOND



## MINUTE



## HOUR



Scale : 20/1

Unit : 1=1/100mm

Version:4