

# MIYOTA

MOVEMENT SPECIFICATIONS  
**CAL. 0R15/0R21 ANALOG QUARTZ MOV'T**  
BY CITIZEN WATCH CO., LTD. JAPAN  
**PREMIUM SLIM**  
MANUFACTURED IN JAPAN

## 1. BASIC SPECIFICATION

(1) CAL. NO.

\*TO CONFIRM WITH MOV'T DRAWING ATTACHED

CALIBRE	0R15	0R21
Ligne	10-1/2	9-3/4
Size*mm	Φ24.0 x 22.5mm	Φ22.0 x 18.0mm
Total height	1.99mm	1.64mm
Hands	<b>2 HANDS</b>	
Date	○	X
Day of Week	X	X
Battery life	<b>3.5 Years</b>	
Battery	<b>SR914SW</b>	

(2) Time standard

Type of quartz : Tuning fork type quartz crystal

Frequency : 32,768Hz

Accuracy : **+/-15 s/month** worn under normal circumstances

(3) Battery installed

Type of battery : See above: JAPAN-MADE

(4) Others

Driving systems : Two-pole stepping motor

Number of Jewel : 7 jewels

(5) Additional Mechanisms & Features:

**Powercell Saving Reset Mechanism(PSRM)**

**Over-loading Compensation Device(OLCD)**

(6) Balanceable weight of hand

Minute hand Max. 0.4 μN·m

**2. SEPARATED PARTS**

	<b>0R15</b>	<b>0R21</b>
Setting stem	065-436	065-436
Length of movement center to stem end...	20mm	20mm
Thread.....	$\Phi 0.6 \times 11.0\text{mm}$	$\Phi 0.6 \times 11.0\text{mm}$

**3. OTHERS**

**\* Measurement of time rate**

The unit time of measurement must be set at "10s", "20s", "30s" .....  
(not "15s", "25" .....)

And the measurement must be carried out in state of a complete watch.

**\* Marking on movement**

**SEVEN JEWELS  
JAPAN  
(CAL. NO.)  
MIYOTA CO.**

**\* Typical clearance**

Mov't - Caseback	min 100 $\mu\text{m}$ to max 250 $\mu\text{m}$
Top of hands - Glass	300 - 400 $\mu\text{m}$ *

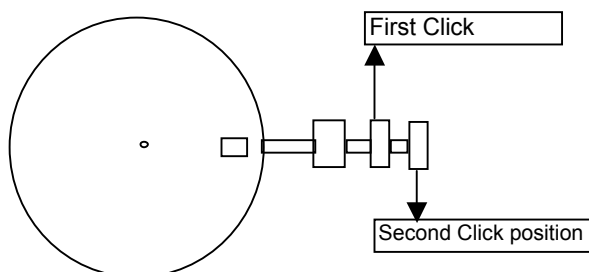
\* depending and subject to the glass and case structure, and hand length

**\*How to set time and date:**

Date                    -----    Pull out crown to the first click position,  
turn crown counter-anticlockwise for Date  
changing. ( 0R15 only )

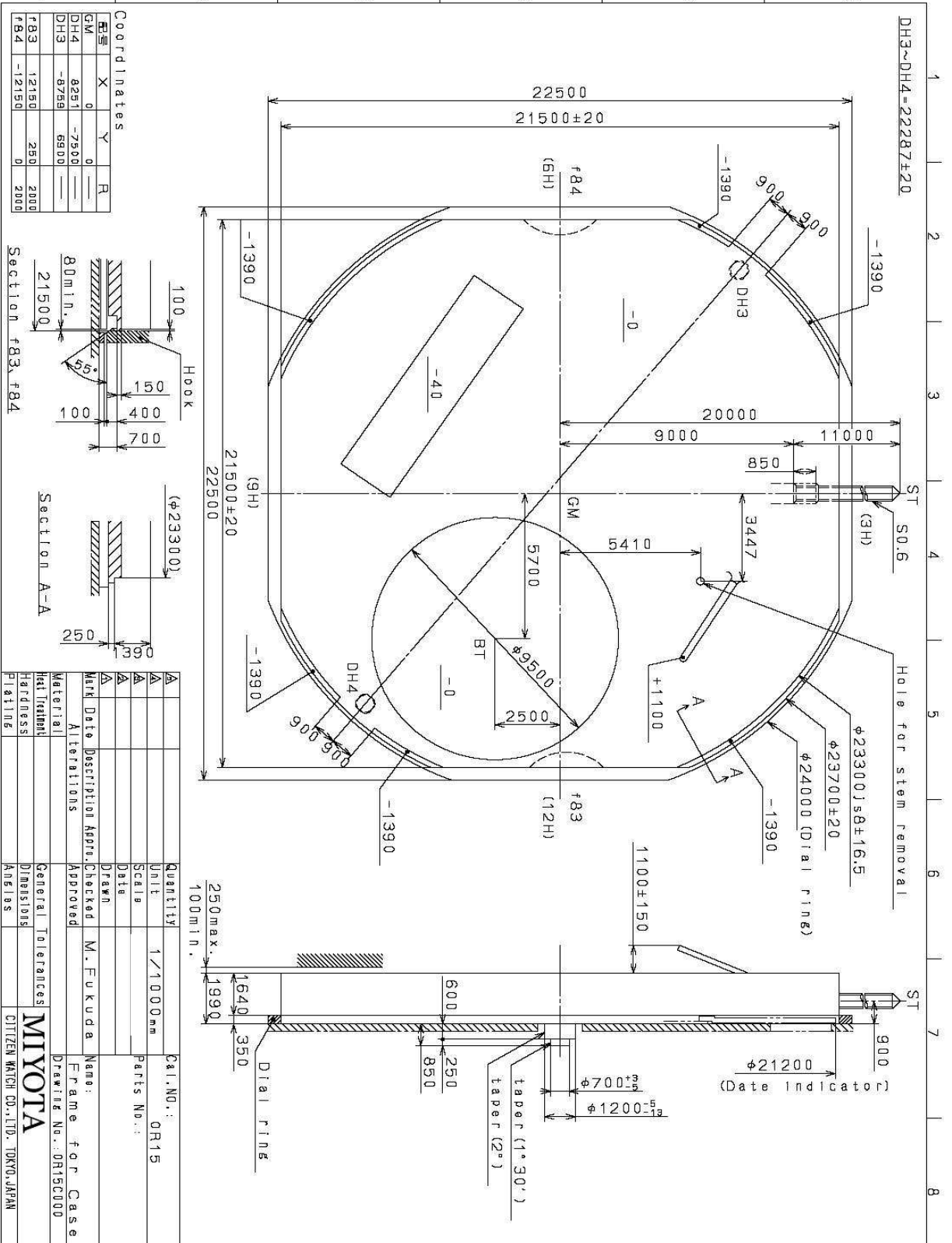
Time                    -----    Pull out crown to the \*second click position (0R15)  
and turn crown until the time is set correctly\*\*

**\* 0R21 : FIRST CLICK POSITION**



*This specifications might be changed without prior notice.*

This drawing is provisional and subject to our reconfirmation and/or revision without notice.



Quantity	Unit	Cal. No.:
1	1/1000mm	OR15
Scale	Scale	Parts No.:
Date	Date	
Drawn	Drawn	
Checked	Checked	
Approved	Approved	
Material		
Alterations		
Mark Date Description Appr.		
Material		
Heat Treatment		
Hardness		
General Tolerances		
Dimensions		
Angles		

Name: M. Fukuda

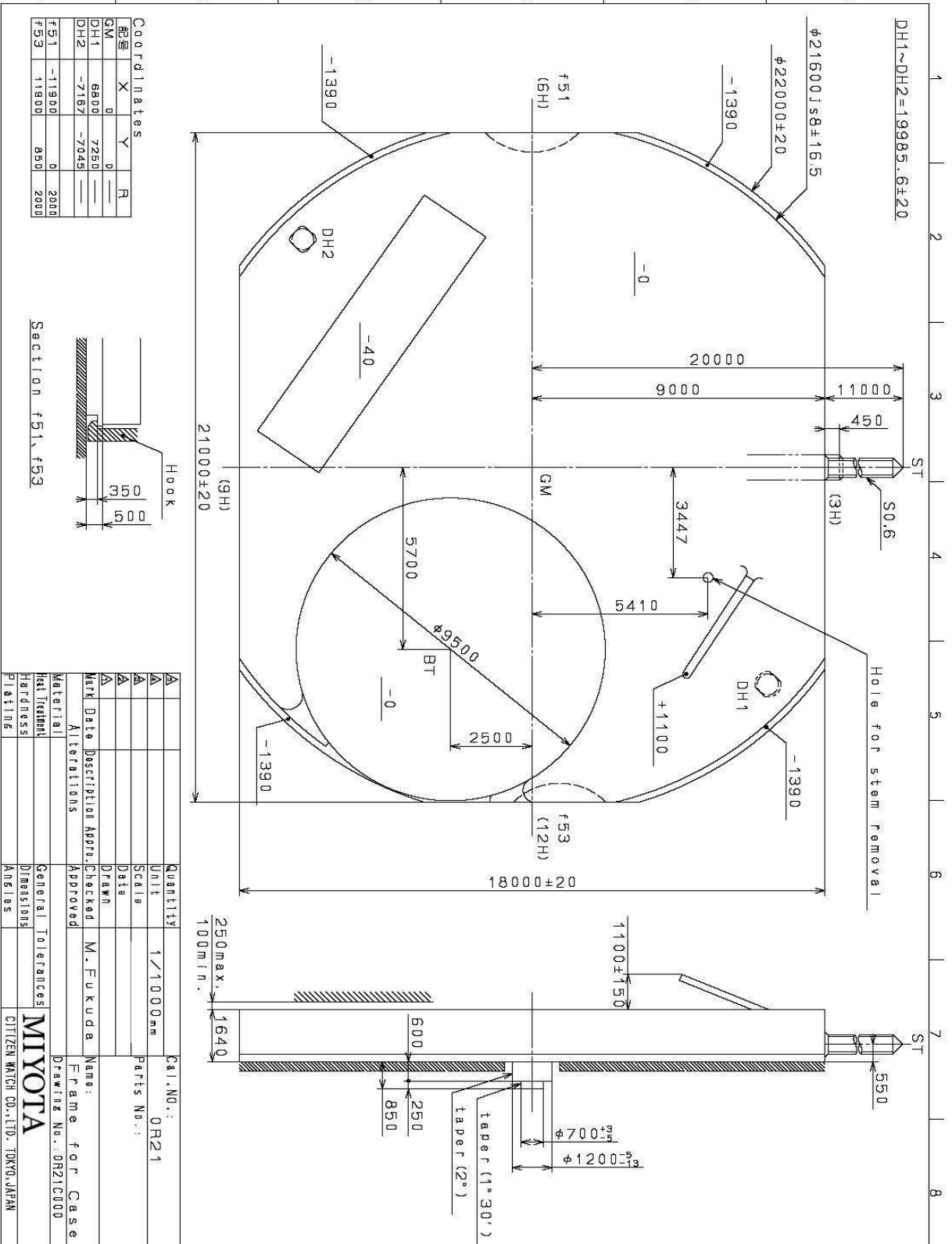
Frame for Case

Drawing No.: 01150000

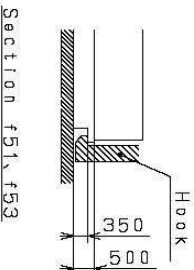
MIYOTA

CITIZEN WATCH CO., LTD. TOKYO, JAPAN

This drawing is provisional and subject to our reconfirmation and/or revision without notice.



Coordinates			
記号	X	Y	R
GM	0	0	—
DH1	6400	7250	—
DH2	-7167	-7045	—
f51	-11900	0	2000
f53	11900	850	2000

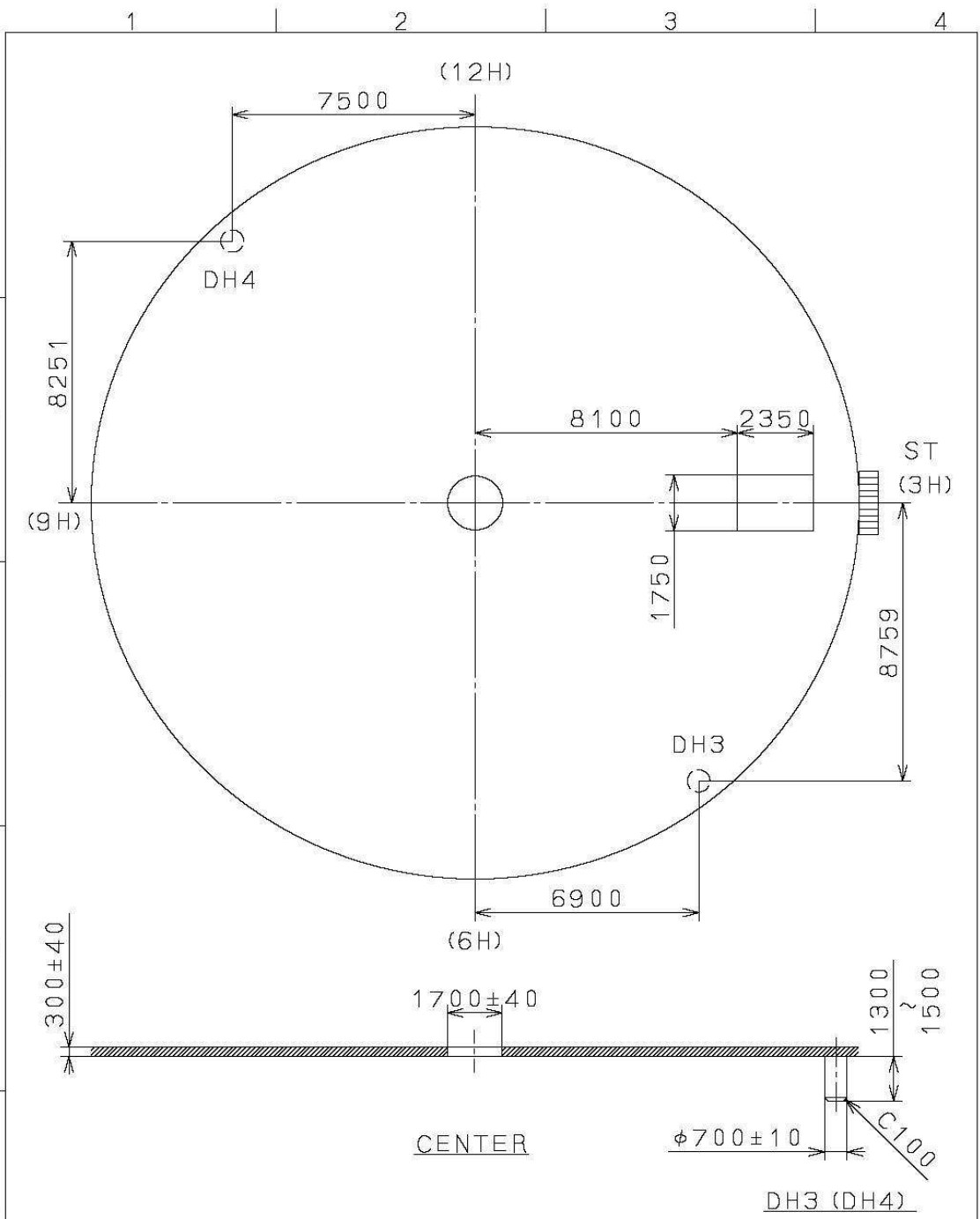


A	Quantity	Unit	Cal. No.
A	1	1/1000mm	OR21
A		Scale	Parts No.:
A		Date	
A		Drawn	
Mark Date Description Appr. Checked		M. Fukuda	Name:
Material		Approved	Frame for Case
Heat Treatment			Drawing No.: OR21C000
Hardness		General Tolerances	
Plating		Dimensions	
		Angles	

**MIYOTA**  
CITIZEN WATCH CO., LTD. TOKYO, JAPAN

2005/12/22 (10:32:24)

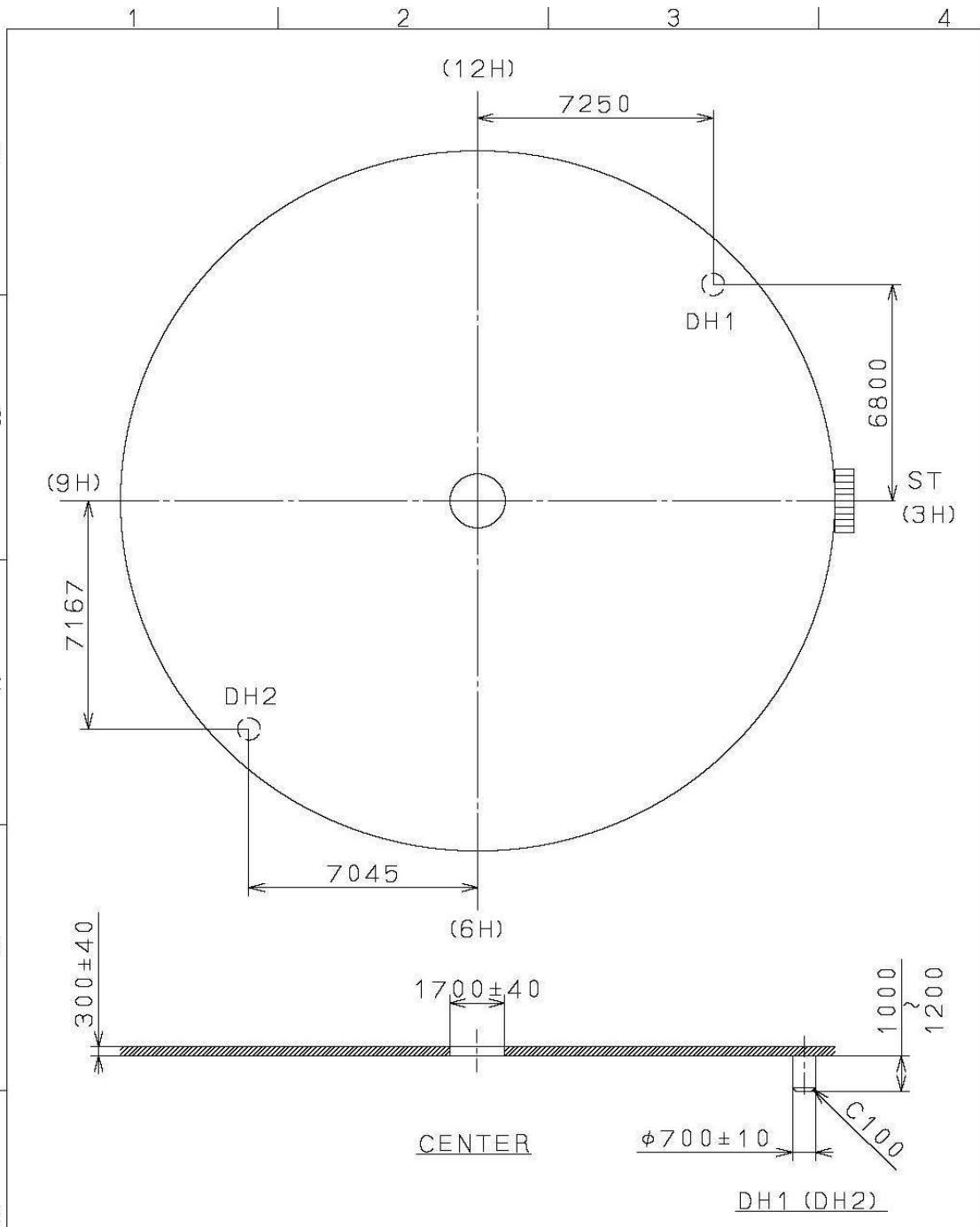
This drawing is provisional and subject to our reconfirmation and/or revision without notice.



△			Quantity		Cal.NO.:
△			Unit	1/1000mm	OR15-07M
△			Scale		Parts No.:
△			Date		
△			Drawn		
Mark	Date	Description	Appr.	Checked	Name:
		Alterations		Approved	M. Fukuda
Material					Indications for Dial
Heat Treatment					Drawing No.: OR15D000
Hardness			General Tolerances		<b>MIYOTA</b>
Plating			Dimensions		
			Angles		
					CITIZEN WATCH CO., LTD. TOKYO, JAPAN

2005/12/22 (10:33:16)

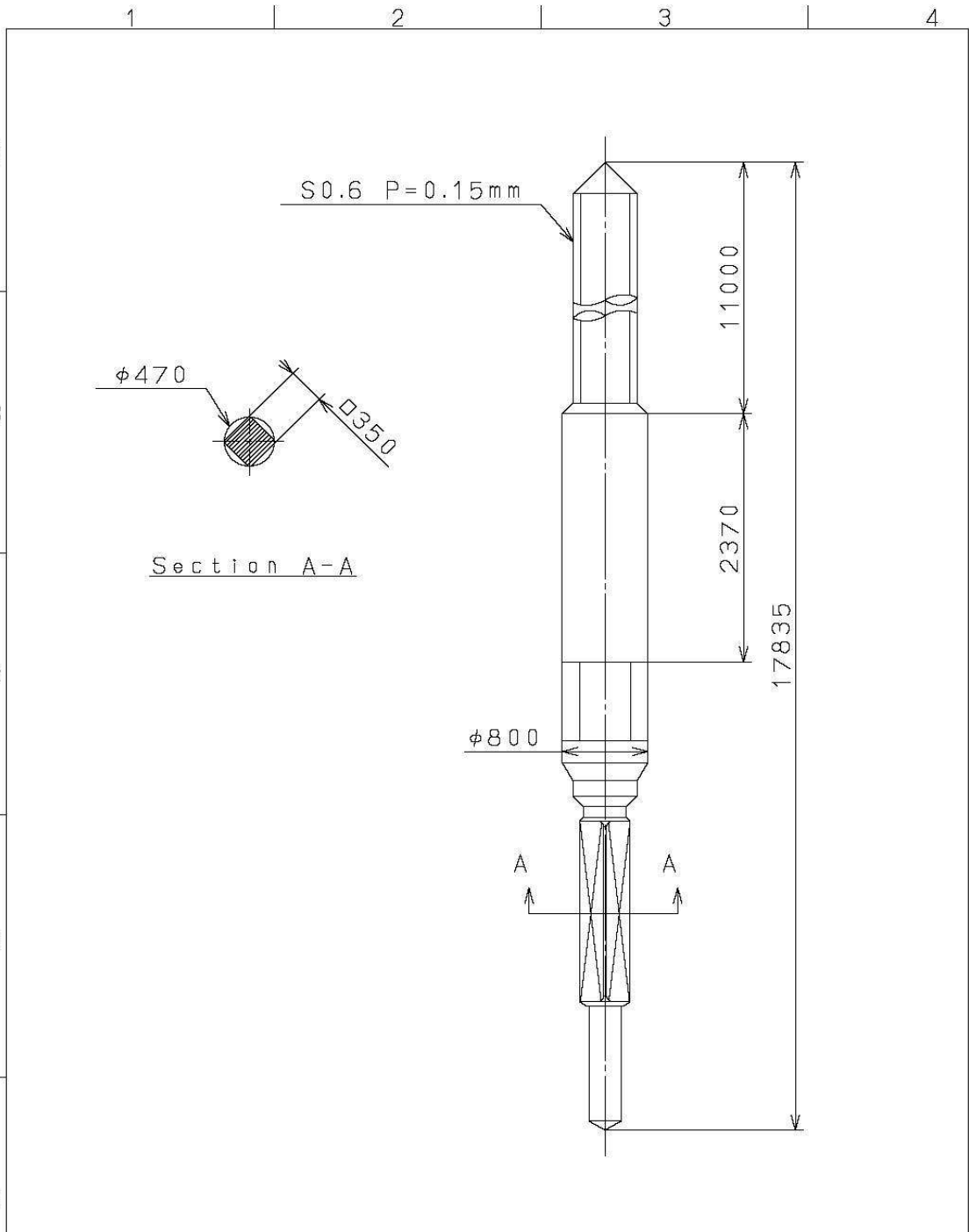
This drawing is provisional and subject to our reconfirmation and/or revision without notice.



△			Quantity		Cal. NO.:
△			Unit	1/1000mm	OR21-07M
△			Scale		Parts No.:
△			Date		
△			Drawn		
Mark	Date	Description	Appr.	Checked	Name:
		Alterations	Approved	M. Fukuda	
Material					Indications for Dial
Heat Treatment					Drawing No.: OR21D000
Hardness			General Tolerances	<b>MIYOTA</b>	
Plating			Dimensions		
			Angles	CITIZEN WATCH CO., LTD. TOKYO, JAPAN	

2005/12/22 (10:26:14)

This drawing is provisional and subject to our reconfirmation and/or revision without notice.



△			Quantity		Cal. NO.:
△			Unit	1/1000 mm	
△			Scale		Parts No.:
△			Date		065-436
△			Drawn		
Mark	Date	Description	Appr.	Checked	Name:
		Alterations	Approved	M. Fukuda	SETTING STEM
Material					Drawing No.: 4360S000
Heat Treatment			General Tolerances	<b>MIYOTA</b>	
Hardness			Dimensions		
Plating			Angles		
				CITIZEN WATCH CO., LTD. TOKYO, JAPAN	